

barbas wood fires

User manual

Falcon 66/56



Version number : 01- 347112
Date: 21-08-2018

Serial number:
Production date:

© **Barbas Bellfires BV**

This document or parts thereof may not be reproduced, stored in a retrieval system, or transmitted, in any form or by any means, electronic, mechanical, photocopying, recording, nor otherwise, without the prior written permission of Barbas Bellfires BV. This document could contain technical inaccuracies or typographical errors. Barbas Bellfires BV reserves the right to revise this document from time to time in the contents thereof.

Contact information

Barbas Bellfires BV

Hallenstraat 17, 5531 AB Bladel, The Netherlands

Phone: +31 49 733 9200

E-mail: info@barbas.com

Contents

1	Declaration of performance.....	5
2	The Clean Air Act 1993 and Smoke Control Areas.....	6
3	About this document.....	7
4	How to work with this document.....	8
4.1	Warnings and cautions used in this document.....	8
4.2	Related documentation.....	8
5	Description.....	9
5.1	Overview of the appliance.....	9
5.2	Intended use.....	12
6	Safety.....	13
6.1	Safety instructions for operation.....	13
6.2	Safety instructions with regard to the environment.....	13
7	Fuel.....	15
7.1	Fuel types.....	15
7.2	Fuel amount.....	15
8	Operation.....	16
8.1	Preparation before first use.....	16
8.2	First use of the appliance.....	16
8.3	Firing the appliance.....	17
8.3.1	First load and ignition.....	17
8.3.2	Reload with fuel.....	18
8.3.3	Control the burn process.....	18
8.3.4	General firing tips.....	19
8.4	Convection ventilator (option).....	19
9	Maintenance.....	21
9.1	Maintenance schedule.....	21
9.2	Remove the ashes.....	21
9.3	Clean the glass.....	21
10	Troubleshooting.....	22

11 Technical data.....24
11.1 Technical data24

12 Warranty Terms..... 25

1 Declaration of performance





Declaration of Performance
 According to regulation (EU) 305/2011
No. 3.127.003-1 - CPR-2013/07/01

1. Unique identification code of the product-type	Falcon 66/56
2. Intended use or uses of the construction product, in accordance with the applicable harmonised technical specification, as foreseen by the manufacturer	Room heater without hot water supply
3. Name, registered trade name or registered trade mark and contact address of the manufacturer as required pursuant to Article 11(5)	Barbas Bellfires BV; Hallenstraat 17; 5531 AB Bladel; The Netherlands
4. Where applicable, name and contact address of the authorised representative whose mandate covers the tasks specified in Article 12(2)	Not applicable
5. System or systems of assessment and verification of constancy of performance of the construction product as set out in Annex V	System 3
6. In case of the declaration of performance concerning a construction product covered by a harmonised standard	The notified laboratory SGS Nederland BV, No. 0608 performed the determination of the product type on the basis of type testing under system 3 and issued test report EZKA/2018-01/00004-7
7. Declared performance	
Harmonized technical specification	EN13229:2001/A2:2004/AC:2007
Essential characteristics	Performance
Fire safety	Pass
Distance to combustible materials	Minimum distances, in mm Insulation thickness rear = 100 Insulation thickness sides = 100 Insulation thickness ceiling = 40 Front = 1000 Insulation thickness floor = 100
Risk of burning fuel falling out	Pass
Emission of combustion products	CO = 0.08 vol%
Surface temperature	Pass
Electrical safety	Pass
Cleanability	Pass
Release of dangerous substances	NPD
Maximum operating pressure	Not applicable
Flue gas temperature at nominal heat output	T = 289 °C
Mechanical resistance (to carry a chimney/flue)	NPD
Thermal output	Pass
Nominal heat output	10.2 kW
Room heating output	10.2 kW
Water heating output	- kW
Energy efficiency	75.4 %
8. The performance of the product identified in point 1 is in conformity with the declared performance in point 7. This declaration of performance is issued under the sole responsibility of the manufacturer identified in point 3.	

Signed for and on behalf of the manufacturer by:

Danny Baijens, CEO
 (Name and function)

Bladel; September 18, 2018
 (place and date of issue)



 (Signature)

2 The Clean Air Act 1993 and Smoke Control Areas

The Barbas Falcon 66/56 inset appliance has been recommended for exemption under section 21 of the Clean Air Act 1993 and can be used in accordance with the intended use as described in this manual in smoke control areas in the UK. The appliance incorporates a factory-fitted modified air control

Under the Clean Air Act local authorities may declare the whole or part of the district of the authority to be a smoke control area. It is an offence to emit smoke from a chimney of a building, from a furnace or from any fixed boiler if located in a designated smoke control area. It is also an offence to acquire an "unauthorised fuel" for use within a smoke control area unless it is used in an "exempt" appliance ("exempted" from the controls which generally apply in the smoke control area).

In England appliances are exempted by publication on a list by the Secretary of State in accordance with changes made to sections 20 and 21 of the Clean Air Act 1993 by section 15 of the Deregulation Act 2015. In Scotland appliances are exempted by publication on a list by Scottish Ministers under section 50 of the Regulatory Reform (Scotland) Act 2014. Similarly, In Northern Ireland appliances are exempted by publication on a list by the Department of Agriculture, Environment and Rural Affairs under Section 16 of the Environmental Better regulation Act (Northern Ireland) 2016. In Wales appliances are exempted by regulations made by Welsh Ministers

Further information on the requirements of the Clean Air Act can be found here: <https://www.gov.uk/smoke-control-area-rules> .

Your local authority is responsible for implementing the Clean Air Act 1993 including designation and supervision of smoke control areas and you can contact them for details of Clean Air Act requirements.

3 About this document

This document shows the necessary information to do these tasks on the Falcon 66/56:

- Operate the appliance
- Do basic maintenance

This document refers to the Falcon 66/56 as 'the appliance'. This document is an essential part of your appliance. Read it carefully before you do work on the appliance. Keep it in a safe place.

The original instructions of the document are in English. All other language versions of the document are translations of the original instructions. It is not always possible to provide a detailed illustration of every single item of the equipment. The illustrations in this document show a typical setup. The illustrations are for instructional use only.

4 How to work with this document

1. Make yourself familiar with the structure and content of the document.
2. Read the safety chapter in detail.
3. Make sure that you understand all the instructions.
4. Do the procedures completely and in the given sequence.

4.1 Warnings and cautions used in this document

Warning



If you do not obey these instructions, there is a risk that can cause personal injury or death.

Caution

If you do not obey these instructions, there is a risk of damage to the equipment or to property.

Note

A note shows more information.

Symbol	Description
	Visual sign that there is a hazard
	Visual sign that there is a notice

4.2 Related documentation

- Installation and maintenance manual
- User manual

5 Description

5.1 Overview of the appliance

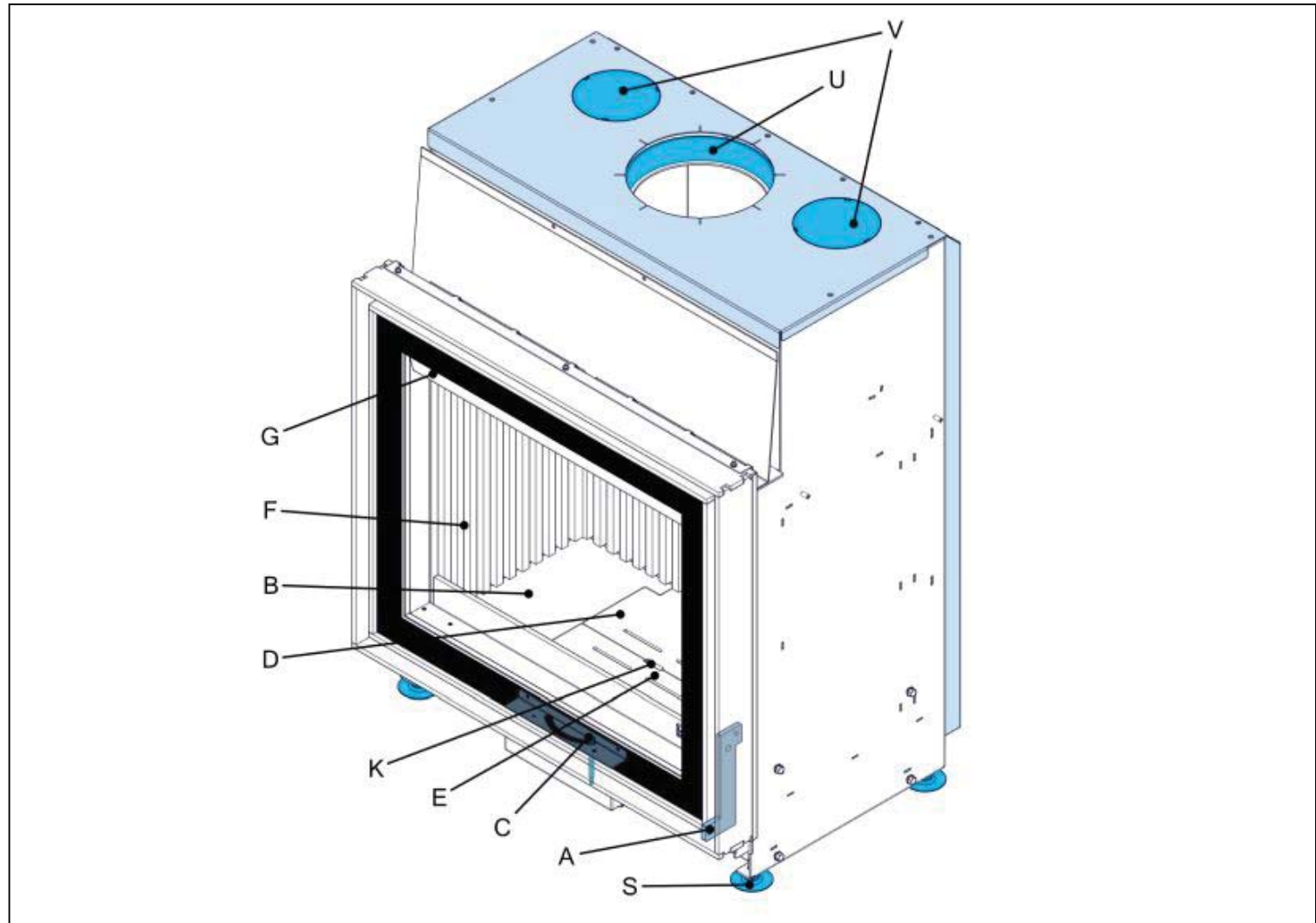


Table 1: Top view

	Item	Description
A	Handle	Use the handle to open and to close the door.
B	Glass	The glass keeps the flue gases inside the appliance and closes the combustion chamber off.
C	Control lever	Use the control lever to control the amount of combustion air.
D	Grate	Cover of the ash tray. Inlet of the primary air into the combustion chamber.
E	Ash tray	Tray to collect the ashes that fall through the grate.
F	Cast iron panels	Cover of the rear and sides of the combustion chamber.
G	Heat shield	Protects the steel in the top of the appliance against excessive heat radiation.
K	Primary air inlet	Combustion air supply through the grate into the combustion chamber. Primary air is used to start the fire.
S	Adjustable feet	4 adjustable feet to level the appliance.
U	Flue connection	The connection to the flue system that extracts the flue gases.
V	Convection air outlet	The heated air is extracted by the outlet openings into the (optional) aluminum flexible pipes.

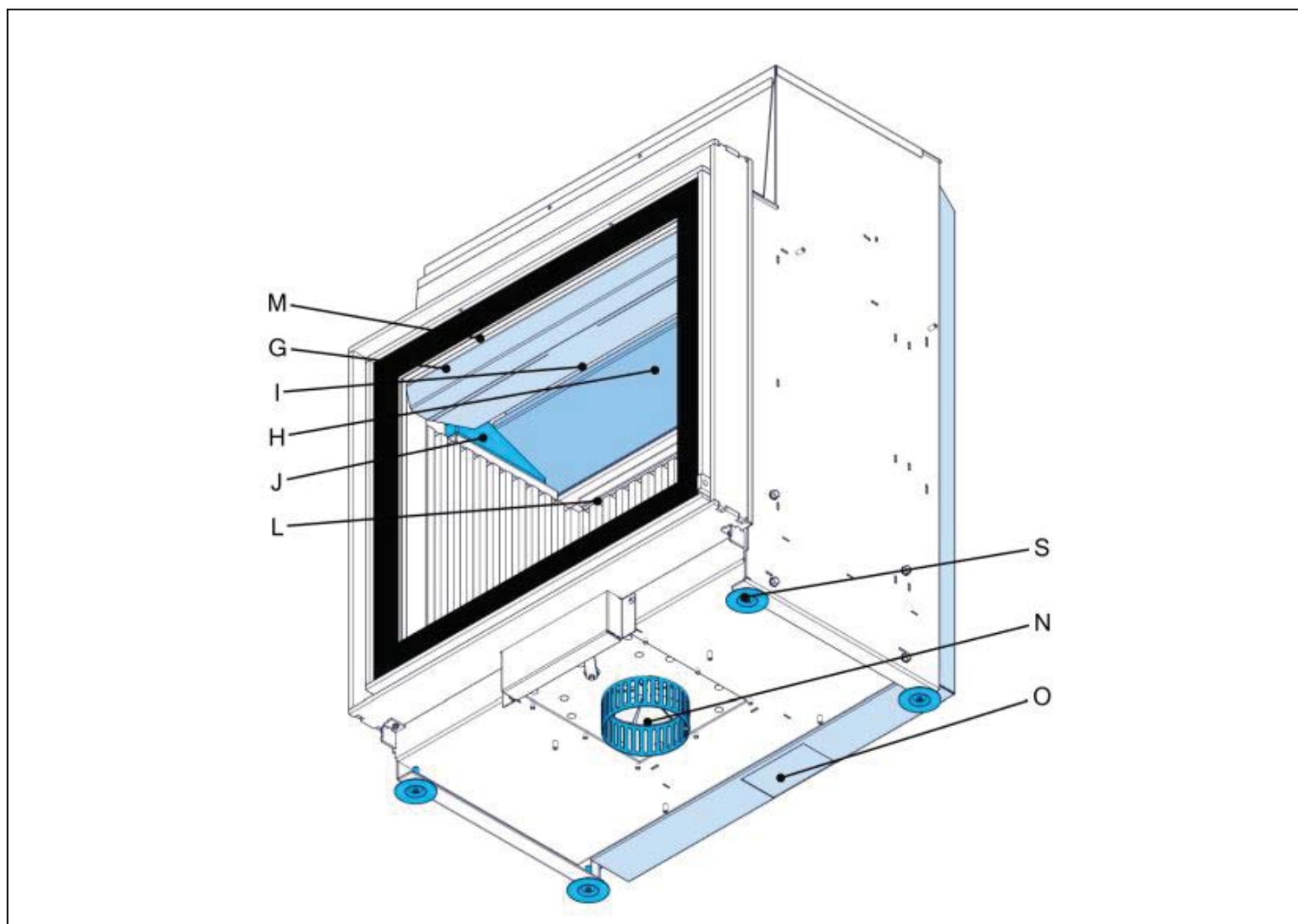


Table 2: Bottom view

	Item	Description
G	Heat shield	Protects the steel in the top of the appliance against excessive heat radiation.
H	Lower baffle	Ceramic plate in the top of the combustion chamber.
I	Upper baffle	Not visible in picture. Vermiculate plate in the top of the combustion chamber above the lower baffle.
J	Ceramic supports	Supports the lower baffle.
L	Secondary air inlet	Combustion air supply through the back wall into the combustion chamber. Secondary air is used for clean burning.
M	Air wash inlet	Combustion air supply through the top of the appliance into the combustion chamber. Air wash is used to prevent deposition of soot on the glass.
N	Combustion air inlet	Provides the appliance with combustion air.
O	Convection air inlet	Provides the appliance with convection air.
S	Adjustable feet	4 adjustable feet to level the appliance.

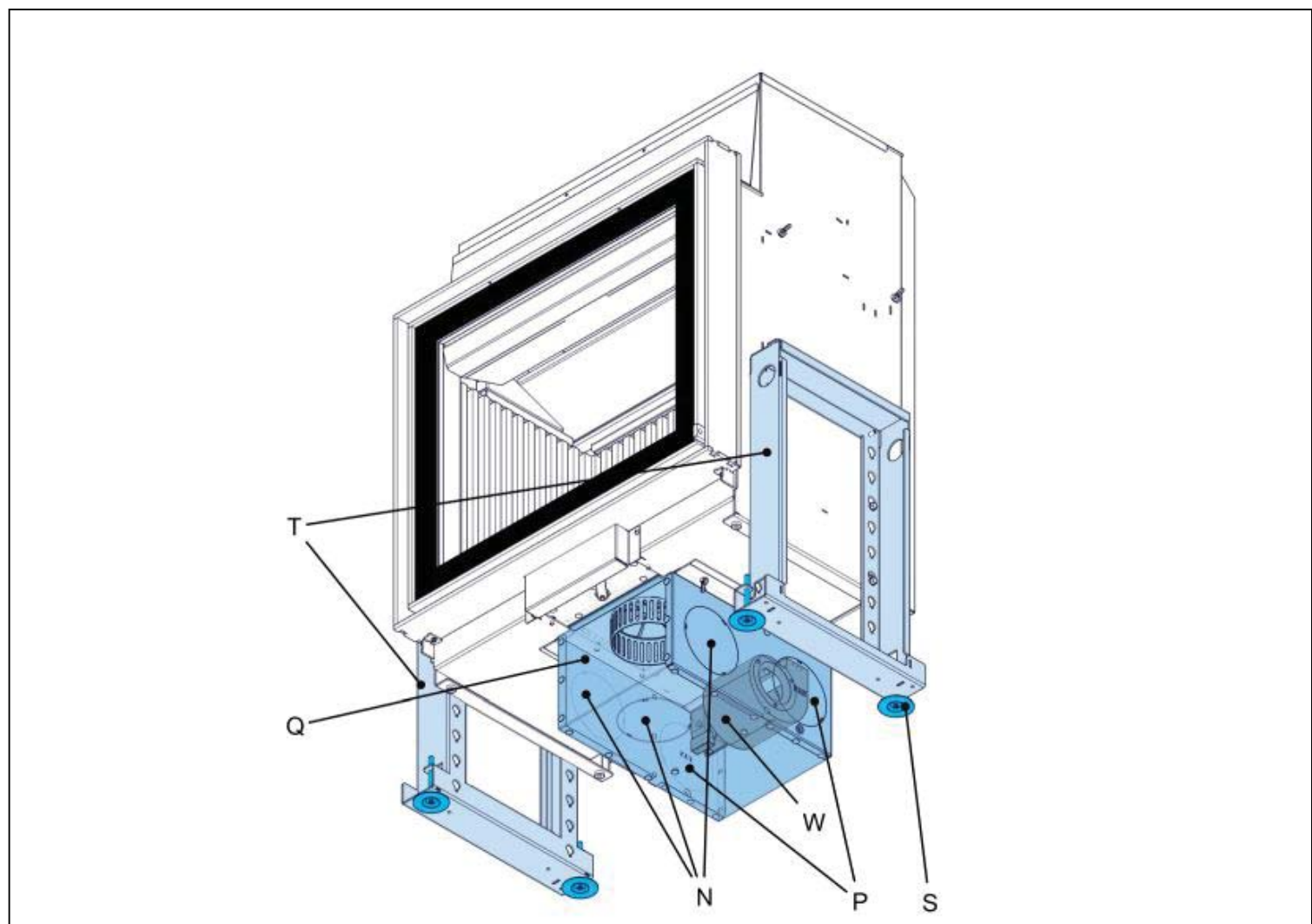


Table 3: Bottom view with convection ventilator / combustion air inlet box

	Item	Description
N	Combustion air inlet	Provides the appliance with combustion air.
P	Convection ventilator (option)	Forces the convection air through the convection system.
Q	Convection ventilator / Combustion air inlet box (option)	Cover for the convection ventilator, with inlet openings for the combustion air.
S	Adjustable feet	4 adjustable feet to level the appliance.
T	Adjustable height frame (option)	Set of 2 adjustable frames with 2 adjustable feet each to put the appliance on a higher position.

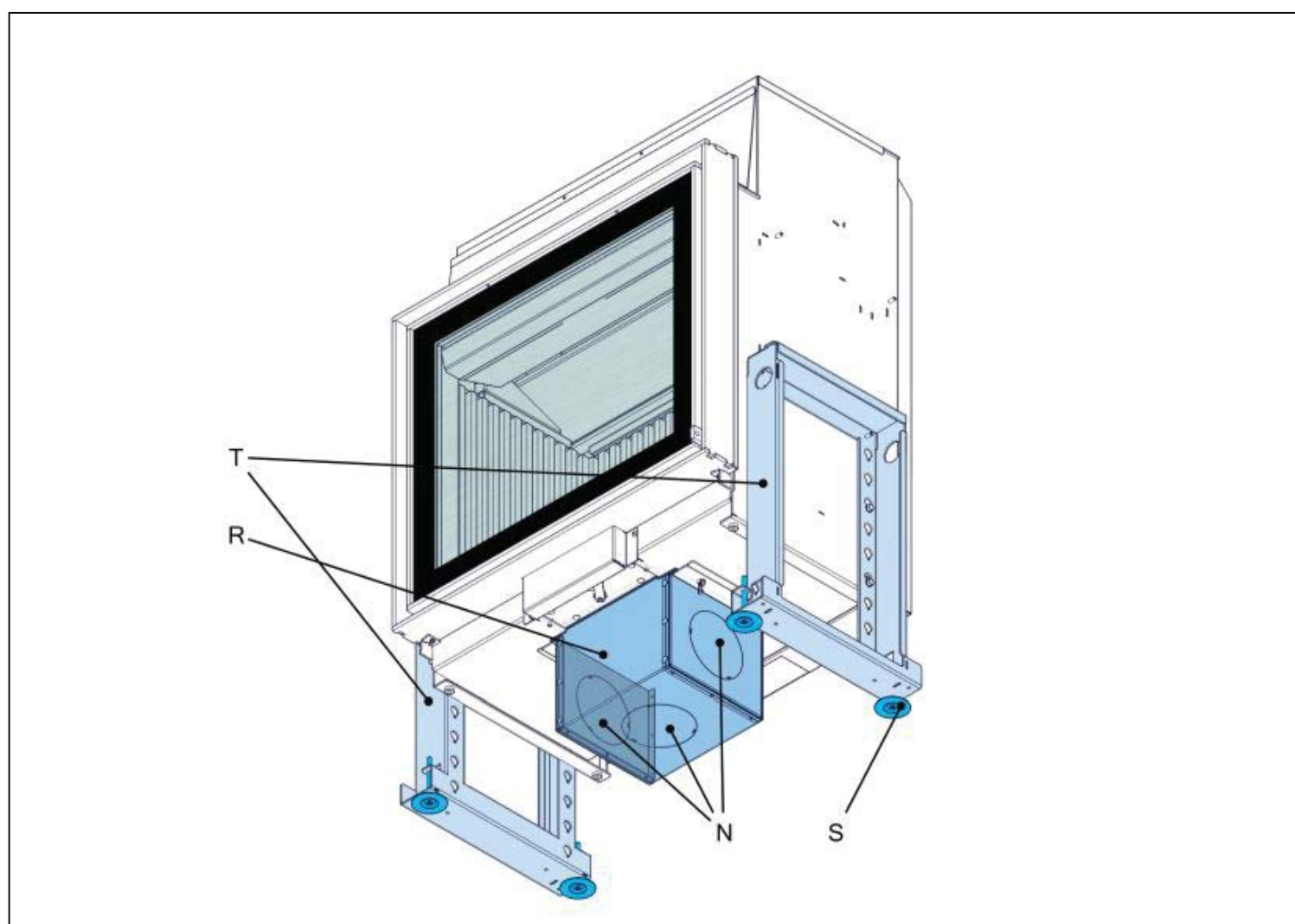


Table 4: Bottom view with combustion air inlet box

	Item	Description
N	Combustion air inlet	Provides the appliance with combustion air.
R	Combustion air inlet box	Box with inlet openings for the combustion air.
S	Adjustable feet	4 adjustable feet to level the appliance.
T	Adjustable height frame (option)	Set of 2 adjustable frames with 2 adjustable feet each to put the appliance on a higher position.

5.2

Intended use

The appliance is intended for indoor use to heat the room wherein it is installed. Do not use it for other purposes.

The appliance is intended for use with wood logs or wood briquettes as fuel. Do not use other fuels.

The appliance is intended for use with the door closed.

The appliance may only be used at the location that meets the requirements for the installation of the appliance.

The appliance is intended for intermittent use and is not intended for continuous use.

The appliance is intended to heat the room by direct heating. It is not allowed to connect the appliance to a central-heating installation.

6 Safety

6.1 Safety instructions for operation

**Warning:**

- Do not let the appliance unattended when the fuel burns.
- Do not put flammable items within 100 cm of the appliance.
- Do not use mineral fuel (example: coal, anthracite)
- Do not use the appliance with the door open. Smoke can escape from the appliance. Only open the appliance door for a short time to reload with fuel or to remove the ash.
- Make sure that children are supervised when they can reach the appliance.
- Make sure that there is sufficient ventilation in the room in which the appliance is installed.
- Do not use the appliance in case of visual glass damage.
- Make sure that the appliance is installed correctly. Refer to the Installation and Maintenance manual. You can find the manuals on www.barbas.com.
- Wear the glove and use the operating hook or a poke when refilling the appliance
- Make sure that your clothing does not touch the appliance. Especially synthetic clothing ignites easily and burns intensely.
- Do not use the appliance when there is fog, haze or no wind.
- Do not make modifications to the appliance. Any modification will also make your warranty invalid.

**Caution:**

- Make sure to clean your chimney minimum every year to prevent a chimney fire.
- Do not use freshly cut wood.
- Do not use more wood per load than prescribed. Overloading can cause excess smoke. See also chapter 7.2.
- Operation with the control lever open can cause excess smoke. The appliance must not be operated with the control lever or door left open except as directed in this user manual.
- Do not burn waste in the appliance.
- Do not prepare food in the appliance. This causes damage to your appliance and chimney.

**Note:**

- Do inspect and clean the appliance, the chimney and the external combustion air supply by a Barbas dealer minimum every year.
- Do not use the appliance continuously. The intended use is as intermittent appliance.

6.2 Safety instructions with regard to the environment

- Dispose of the packing materials in an environmentally friendly way.
- Dispose of ceramic heat-resistant glass as household waste. Do not dispose of ceramic heat-resistant glass in a glass recycling container.

- Dispose of an obsolete appliance according to instructions of the authorities or the fitter.
- Obey the local regulations.

7 Fuel

7.1 Fuel types



Warning:

Do not use coal, anthracite, coal briquettes, liquid fuel or gel fuel. The appliance is not designed for these fuels. Use of these fuels is dangerous and can lead to bodily harm and to serious damage to the appliance.

The appliance has been recommended as suitable for use in smoke control areas when burning clean dried hard wood logs as stated hereunder. All suitable fuels listed hereunder can be used outside smoke control areas.

Suitable fuels are:

- Hard wood logs (example: birch, beech, oak, ash).
- Soft wood (example: spruce, pine, poplar).
- Wood briquettes without binder.

Before use, wood must dry for minimum 2 years when freshly chopped. Kiln-dried wood must dry for an extra half year. Dried wood logs must have a moisture content of 10 - 20 %.

Unsuitable fuels are:

- Painted wood.
- Impregnated wood.
- MDF, chipboard.
- Any kind of combustible waste.
- Paraffin impregnated compressed wood logs
- Freshly chopped wood
- Coal, anthracite and other bituminous fuels
- Lignite , peat

Using unsuitable fuels cause excess smoke, black glass, combustible deposits in the chimney and can damage the appliance.

7.2 Fuel amount

Load the appliance with the amount of fuel as listed hereunder. Put the load as one layer on the floor of the combustion chamber. For the amount of fuel for the first load see [8.3.1](#).

Table 5: Recommended amount of fuel

	Wood logs	Wood briquettes
Amount	2 pieces	2 pieces
Weight	Approximately 1.0 kg per piece	Approximately 0.75 kg per piece
Length	Approximately 30 cm	Approximately 30 cm
Outline	Approximately 25 cm	Approximately 25 cm

The above listed amount burns for approximately 45 minutes. This time can be different, dependent on the chimney draught and the position of the combustion air valve.

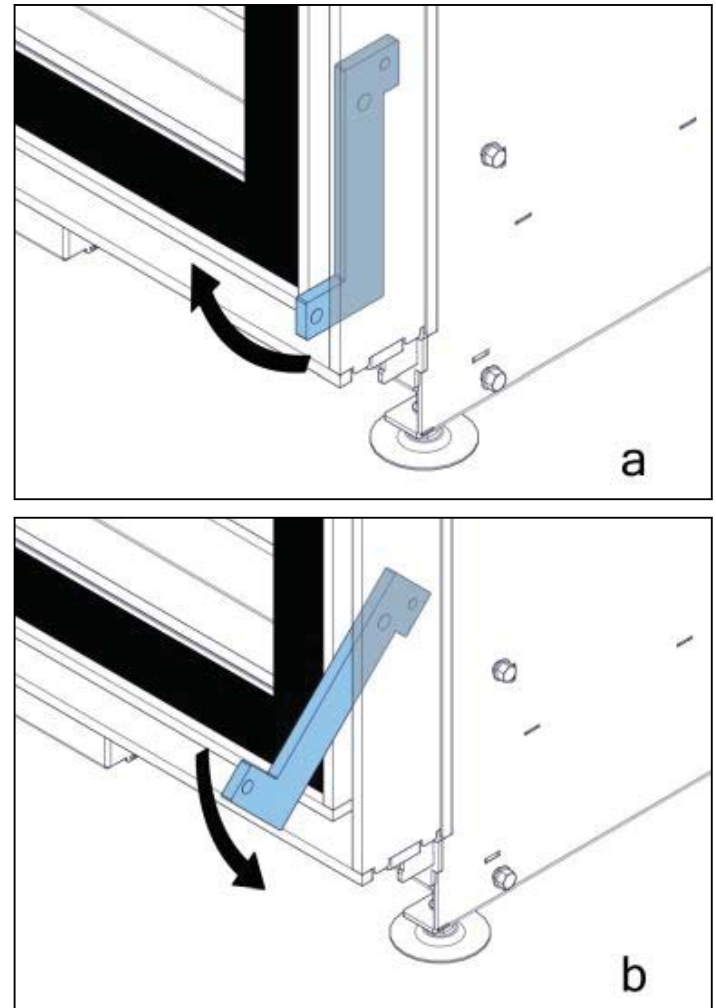
The amount of fuel specified here should not be exceeded, overloading can cause excess smoke.

8 Operation

8.1 Preparation before first use

Report any defects to your dealer immediately.

1. Make sure that the appliance is not damaged.
2. Make sure that the glass is not damaged.
3. Make sure that the door opens and closes completely
 - a) Turn the handle forward to open the door.
 - b) Turn the handle downward to close the door.



4. Remove document and components from the combustion chamber.
5. Make sure that the control lever moves easy.
6. Make sure that the ash tray is empty.
7. Make sure that the ventilation and convection inlet and outlet openings are open
8. Make sure that all package material, stickers, etc, has been removed from the vicinity of the appliance after installation.

8.2 First use of the appliance



Caution:

- Do not use the appliance for 4 weeks after installation. This time is necessary for the building materials to set.
- Make sure there is sufficient ventilation in the room in which the appliance is installed.



Note:

The appliance has a heat-resistant coating. When you use the appliance for the first time, the coating can cause an unpleasant, but harmless smell.

Before first use make sure that a newly-build chimney breast is dry. Walls that have not dried sufficiently attract particles released from your appliance when suddenly opening the door of the appliance during use.

After first few times of use of the appliance, a light deposit on the inside of the glass may occur caused by curing of the paint. This can be removed with glass cleaner or ceramic hob cleaner.

8.3 Firing the appliance

8.3.1 First load and ignition

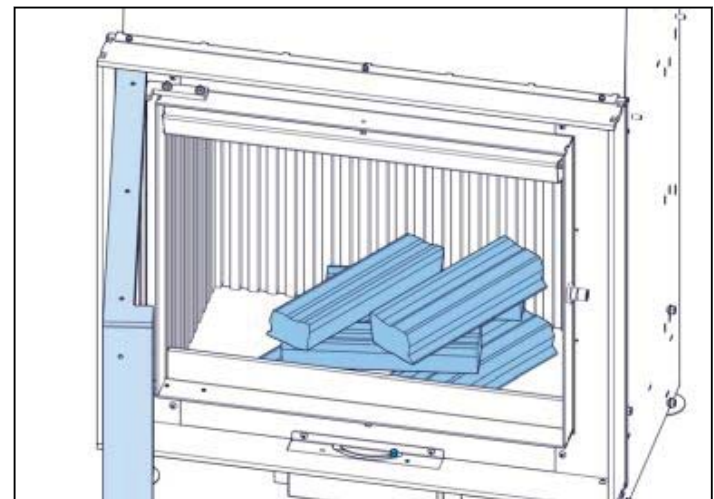
At the beginning the appliance and chimney is cold. It is important that both the appliance and chimney reach a temperature that guarantees a good functioning of the appliance. A too low temperature results in incomplete combustion and a poor chimney draught. To avoid this do the following:



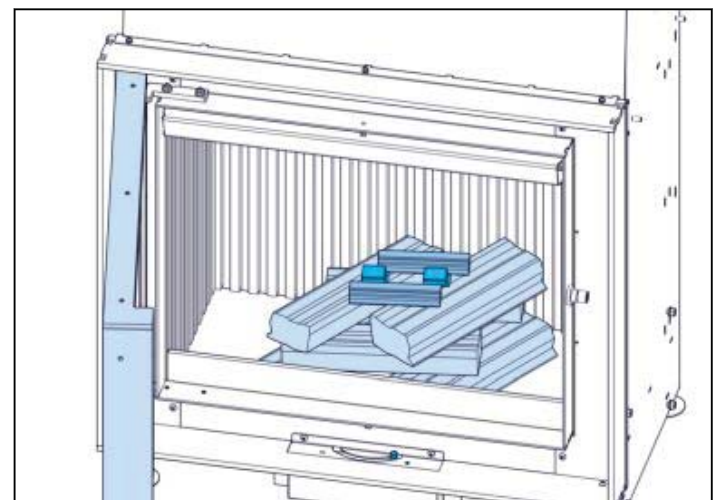
Warning:

Do not use the appliance when there is fog or haze or no wind.

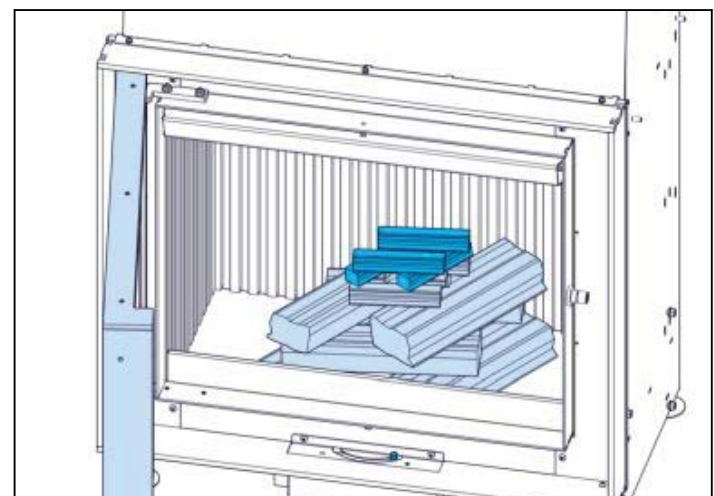
1. Put the control lever in the far right position.
2. When present, open the valve in the external combustion air supply line.
3. When present, open the chimney valve completely.
4. Open the door of the appliance.
5. Put 6 wood logs crosswise on the floor of the combustion chamber.



6. Put some kindling wood and 1 or 2 firestarter cubes on top of the wood logs.



7. Put some kindling wood above the firestarter cubes.



8. Light the firestarter cubes with a lighter or a match.
9. Close the door of the appliance.

After approximately 20 minutes the wood logs burn. Dependent on the quality of the chimney the wood logs burn for approximately 1 to 1.5 hours. Do not open the door of the appliance before the last flames have almost disappeared.

8.3.2 Reload with fuel



Caution:

If there is insufficient burning material in the firebed to light a new fuel charge, excessive smoke emission can occur. Refueling must be done onto a sufficient quantity of glowing embers and ash to make sure that the new fuel charge will ignite in a reasonable period. If there are too few embers in the fire bed, add suitable kindling to prevent excessive smoke.



Note:

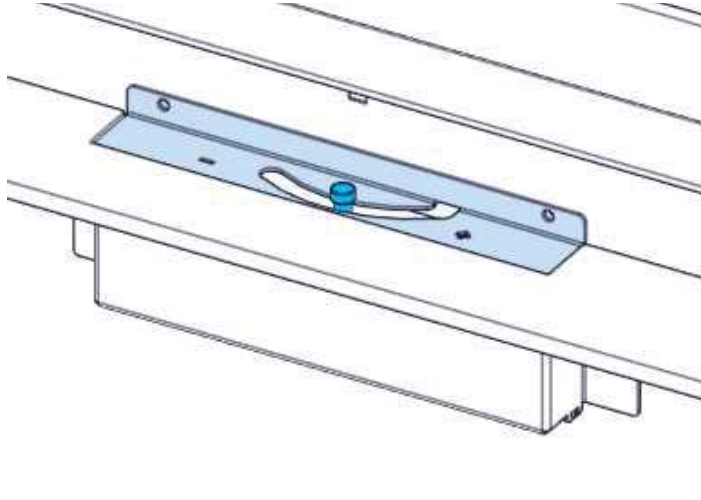
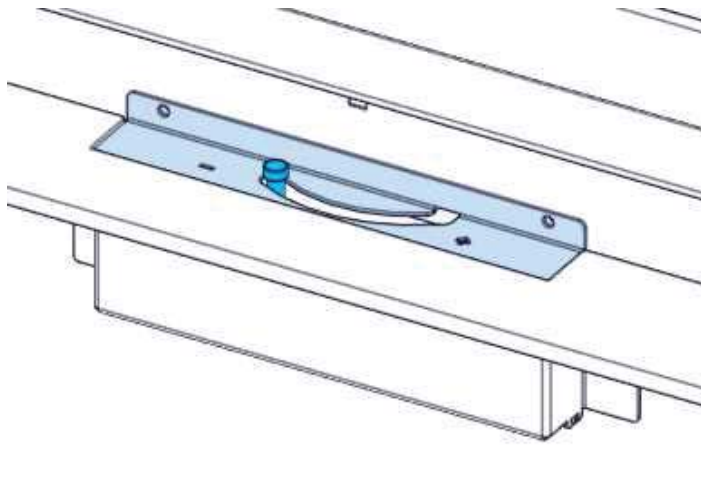
The procedure hereunder is a general description. The best reloading moment is dependent on the flue draught. A high flue draught requires reloading when the flames have completely disappeared. If the flue draught is low, reloading must be done when there are still flames.

1. Wait until the last flames have almost disappeared.
2. Set the control lever in the far right position.
3. Open the door.
4. Reload the appliance with 2 wood logs. Use the recommended amount of fuel. Refer to 7.2.
5. Close the door.
6. After ignition of the fuel, move the control lever to the left to a position that gives a quiet burning fire.

8.3.3 Control the burn process

Control the burn process with the control lever. This lever controls the amount of primary combustion air and both the secondary combustion air and airwash amount.

<p>Control lever in the far right position:</p> <ul style="list-style-type: none"> primary air inlet maximum open secondary air inlet maximum open airwash inlet maximum open 	
--	--

<p>Control lever in the center position: primary air inlet is closed secondary air inlet maximum open airwash inlet maximum open</p>	
<p>Control lever in the far left position: primary air inlet is closed secondary air inlet minimum open airwash inlet is minimum open</p>	



Caution:

Continuous firing with the primary air inlet fully open (control lever in the far right position) causes a white-hot fire that can damage the appliance. Use the primary air only during the first fuel load and for ignition of a new fuel load.

8.3.4

General firing tips

- The appliance works best when it has heated up as described in chapter [8.3.1](#). Insufficient heating up leads to a low chimney draught, black deposits on the glass and incomplete combustion. Good combustion is recognized by bright orange flames, invisible smoke and no soot deposits on the glass. Use the control lever to get good combustion. Refer to [7.1](#) for advice on the required fuel quality.
- Make sure the door of the appliance is closed when in use. Only open the door for ignition and to refuel.
- Do not remove all the ashes. An ash layer in the combustion chamber forms a heat insulating layer, that helps the fuel to ignite easy.
- Do not set the control lever in the far left position (all combustion air inlets closed) when the appliance is used. This will cause severe smoke development, soot formation and increases the chance of a chimney fire.
- After the first load, do not overload the appliance with fuel. Refer to [7.2](#) for the recommended amount of fuel. Too much fuel leads to incomplete combustion, soot formation and a chance of a chimney fire.

8.4

Convection ventilator (option)

It is recommended to always use the convection ventilator when the appliance is in use.

- Start the convection ventilator by turning the dimmer knob clockwise in the ON position.
- Set the desired ventilator speed by turning the dimmer knob.
- Stop the convection ventilator by turning the dimmer knob counterclockwise into the OFF position

9 Maintenance

9.1 Maintenance schedule



Caution:

Clean the glass when it is dirty. If the glass is not cleaned when it is dirty the glass can become permanently dull.

Table 6: Maintenance schedule

Task	Frequency	Procedure
Remove the ashes	When necessary	Refer to section 9.2
Clean the glass	When necessary	Refer to section 9.3
Maintenance by your fitter	Yearly	Refer to your dealer
Chimney sweep	Yearly (or more often when necessary)	Refer to the Installation and maintenance manual
Appliance inspection	Yearly	Refer to the Installation and maintenance manual

9.2 Remove the ashes

1. Make sure that the appliance has cooled down and there are no glowing embers.
2. Remove the ashes with a small scoop.
3. Lift the grate with the operating hook and remove the grate.
4. Remove the ashtray and empty it.
5. Make sure there are no ashes in the space under the ash tray. Remove these ashes when necessary.
6. Put the ash tray back in the appliance.
7. Put the grate back in the appliance.

9.3 Clean the glass

1. Make sure the appliance has cooled down and there are no glowing embers in the combustion chamber.
2. To avoid any up swirl of ashes during cleaning, remove the ashes from the appliance.
3. Clean the glass with a soft cloth, a sponge or paper. Use glass cleaner or ceramic hob cleaner.
4. Make sure that the glass is dry. Water droplets can leave a mark on the glass.




Note:

Damaged or broken glass must be replaced before the appliance can be used again.

10 Troubleshooting

Table 7: Troubleshooting

Problem	Possible cause	Possible solution
Chimney fire (recognized by a roaring sound in the chimney)	Ignition of soot and tar deposits in the chimney.	<ul style="list-style-type: none"> Set the control lever in the far left position. Call the emergency services. (112) Put out the fire in the appliance with sand. <p>Warning: Never use water to put out the fire.</p>  <ul style="list-style-type: none"> Ventilate the house. <p>After the chimney has been extinguished, sweep the chimney and inspect for damage.</p> <p>Sweep the chimney minimum once a year by a certified chimney sweep.</p>
The wood logs do not ignite	The moisture content of the wood logs is too high	<ul style="list-style-type: none"> Use dried wood logs with a moisture content of 10 - 20 %. Use wood briquettes
	The combustion chamber is not warm enough	<ul style="list-style-type: none"> Do the recommended ignition procedure. Refer to section 8.3.1. Use the recommended amount of fuel. Refer to section 7.2.
The wood logs burn too fast	Primary air inlet is open.	Close the primary air supply. Adjust the amount of secondary air and air wash with the control lever. Refer to section 8.3.3 .
	The chimney draught is too high	<ul style="list-style-type: none"> Reduce the amount of secondary air and airwash with the control lever. Refer to section 8.3.3 Contact your installer.
The temperature of the room does not rise sufficient	The fuel amount is too low	Use the recommended amount of fuel. Refer to section 7.2 .
	The chimney draught is too high	Contact your installer.
Excessive smoke escapes when the door of the combustion chamber is open	The chimney draught is too low	<ul style="list-style-type: none"> Do the recommended ignition procedure. Refer to section 8.3.1. . Contact your installer.

Problem	Possible cause	Possible solution
The glass becomes black	The combustion chamber is not hot enough	<ul style="list-style-type: none"> Use the recommended amount of fuel. Refer to section 7.2. Increase the amount of combustion air with the control lever. Refer to section 8.3.3.
	The moisture content of the wood logs is too high	<ul style="list-style-type: none"> Use dried wood logs with a moisture content of 10 - 20 %. Use wood briquettes
	The seal around the door is damaged	Contact your dealer.
The convection ventilator makes unusual noise	The convection ventilator is defect	Contact your dealer
The convection air outlets show a grey discoloration	Household particles (for example from pets, clothing, cigarettes, candles) flow via the convection air inlet alongside the hot appliance. The particles burn when in contact with the hot appliance. The residual black particles flow via the convection air outlet to the room.	<ul style="list-style-type: none"> Make sure that you daily clean the surround of the convection air inlet. Remove the air inlet and air outlet grates and clean the grates. Put the grates back after cleaning. Make sure the room is sufficient ventilated Avoid as much as possible the presence of household particles. It is recommended to use a vacuum cleaner every day.

11 Technical data

11.1 Technical data

Name	Barbas
Model	Falcon 66/56
Tested in accordance with	EN 13229:2001-A2:2004 EN 16510-1 annex D, E, F
Energy efficiency index (according EU 2015/1186)	100.0
Energy efficiency class	A
Fuel	<ul style="list-style-type: none"> • Wood logs • Wood briquettes (without binder)
Nominal fuel load	2.2 kg
Nominal heat output (net)	10.2 kW
Minimum heat output (net)	8 kW
Useful efficiency (Net Calorific Value (NCV)) at nominal heat output	75.4 %
Useful efficiency (Net Calorific Value (NCV)) at minimum heat output (indicative)	79 %
Indirect heating function	No
Leak rate at 10 Pa	1.0 m ³ /h (at 273 K, 1013 hPa)
The specific precautions that shall be taken when the local space heater is assembled, installed or maintained, are listed in the attached documents:	<ul style="list-style-type: none"> • Installation and maintenance manual • User manual

12 Warranty Terms

Barbas Bellfires Warranty Terms

Barbas Bellfires B.V. guarantees the quality of the supplied Barbas appliance and the quality of the materials used. All Barbas appliances are developed and manufactured according to the highest possible quality standards. If, despite all this, something should prove amiss with the Barbas appliance you have purchased, Barbas Bellfires B.V. offers the following manufacturer's warranty.

Article 1: Warranty

1. If Barbas Bellfires B.V. determines that the Barbas appliance you have purchased is defective as a result of a flaw in the construction or material, Barbas Bellfires B.V. guarantees to repair or replace the appliance free of charge, without charging any costs for labor or spare parts.
2. Repair or replacement of the Barbas appliance will be undertaken by Barbas Bellfires B.V. or by a Barbas dealer as designated by Barbas Bellfires B.V.
3. This warranty is supplementary to the existing legal national warranty of Barbas dealers and Barbas Bellfires B.V. in the country of purchase and is not intended to restrict your rights and claims based on the applicable legal provisions.

Article 2: Warranty conditions

1. Should you wish to claim under the warranty, please contact your Barbas dealer.
2. Complaints should be reported as quickly as possible after they have manifested themselves.
3. Complaints will only be accepted if they are reported to the Barbas dealer, together with the serial number of the Barbas appliance which is stated on the front of the instructions for use.
4. In addition, the original receipt (invoice, receipt, cash receipt) showing the date of purchase must also be submitted.
5. Repairs and replacements during the warranty period do not give any entitlement to an extension of the warranty period. After a repair or replacement of warranty parts, the warranty period shall be deemed to have started on the date of purchasing the Barbas appliance.
6. If a certain part is eligible for the warranty and the original part is no longer available, Barbas Bellfires B.V. shall ensure that an alternative part of at least the same quality shall be provided.

Article 3: Warranty exclusions

1. The warranty on the Barbas appliance ceases to be in effect if:
 - a. it is not installed according to the supplied installation instructions, and to national and/or local regulations;
 - b. it has been installed, connected or repaired by a non-Barbas dealer;
 - c. it has not be used or maintained according to the instructions for use;
 - d. it has been changed, neglected or roughly treated;
 - e. it has been damaged as a result of external causes (outside the appliance itself), for example, lightning strike, water damage or fire;
2. In addition, the warranty lapses if the original purchase receipt shows any change, deletion, removal or if it is illegible.

Article 4: Warranty area

1. The warranty is only valid in those countries where Barbas appliances are sold through an official dealer network.

Article 5: Warranty period

1. This warranty will only be granted during the warranty period.
2. The body of the Barbas appliance is guaranteed for a period of 10 years against construction and/or material faults, starting from the moment of purchase.
3. For other parts of the Barbas appliance, a similar warranty applies from the moment of purchase for a period of one year.
4. For user parts such as glass, glass (cord) and the interior of the combustion chamber, a similar guarantee is given until after the first burning.

Article 6: Liability

1. A claim granted by Barbas Bellfires B.V. under this warranty does not automatically imply that Barbas Bellfires B.V. also accepts liability for any possible damage. The liability of Barbas Bellfires B.V. never extends further than that stated in these warranty conditions. Any liability of Barbas Bellfires B.V. for consequential damage is expressly excluded.
2. That stated in this provision is not valid if and to the extent that it derives from a mandatory provision.
3. All agreements entered into by Barbas Bellfires B.V. are, unless specifically stated otherwise in writing and to the extent that they are permitted based on applicable law, subject to the FME-CWM general sales and delivery conditions for the technology industry.

Barbas Bellfires B.V.

Hallenstraat 17 5531 AB Bladel

The Netherlands

Tel: +31-497339200

Email: info@Barbas.com

Carefully retain the user manual; it shows the serial number of the appliance. You will need this if you wish to claim under the warranty.

barbas .

Your Barbas dealer