

inbouw, opbouw kader  
 built-in, surface-mounted frame

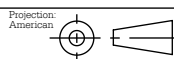
\* = air inlet  $\varnothing$  125 mm

**barbas**

Barbas Bellfires B.V.  
 Hallenstraat 17  
 5531 AB Bladel  
 The Netherlands  
 www.barbasbellfires.com

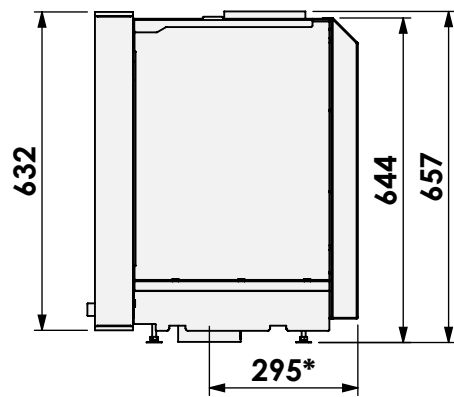
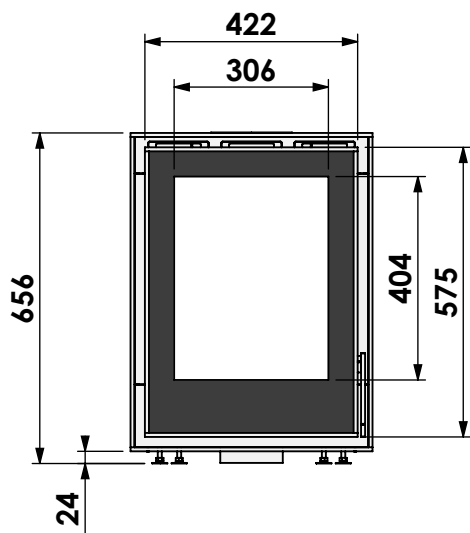
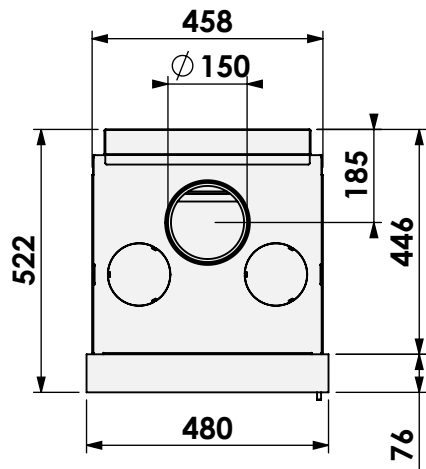
Name: Cuatro-7 50-60

Modifications reserved



Scale: 1:15  
 Unit: mm

Version: 0



inbouw, opbouw kader, convectie  
 built-in, surface-mounted frame, convection casing

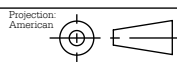
\* = air inlet  $\varnothing$  125 mm

**barbas**

Barbas Bellfires B.V.  
 Hallenstraat 17  
 5531 AB Bladel  
 The Netherlands  
 www.barbasbellfires.com

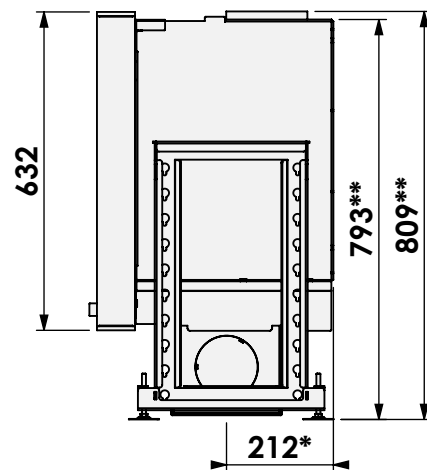
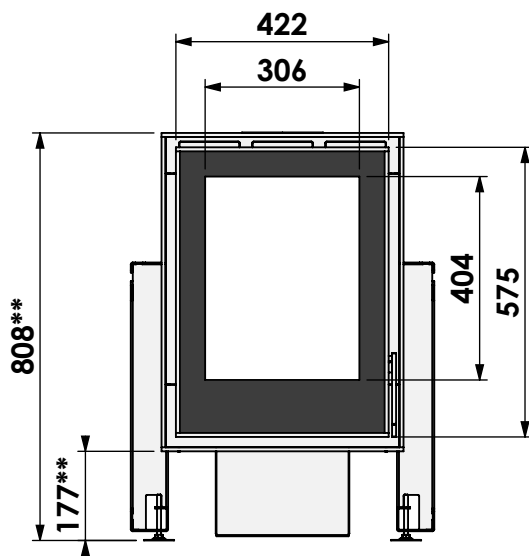
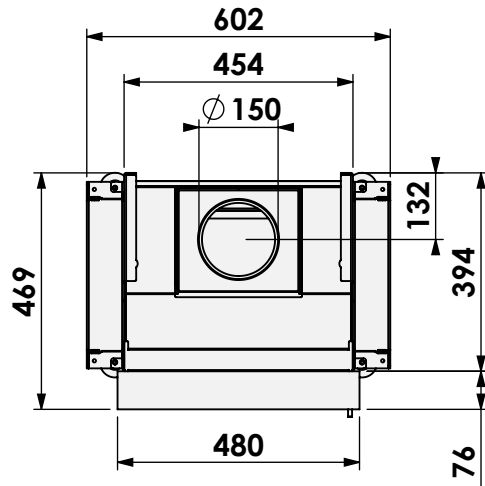
Name: Cuatro-7 50-60

Modifications reserved



Scale: 1:15  
 Unit: mm

Version: 0



inbouw, opbouw kader, luchtbox  
 built-in, surface-mounted frame, airbox

\* = optional air inlet  $\varnothing 125$  mm

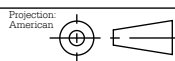
\*\* = optional extended adjustable legs, max +150 mm

**barbas**

Barbas Bellfires B.V.  
 Hallenstraat 17  
 5531 AB Bladel  
 The Netherlands  
 www.barbasbellfires.com

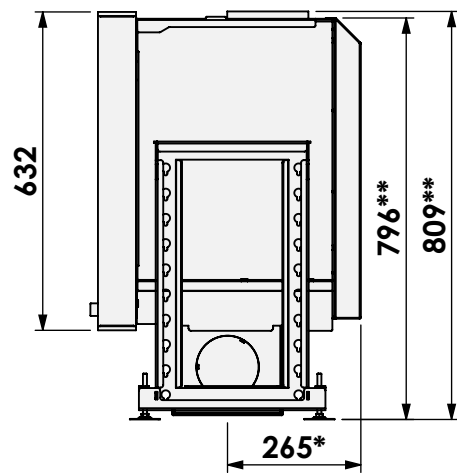
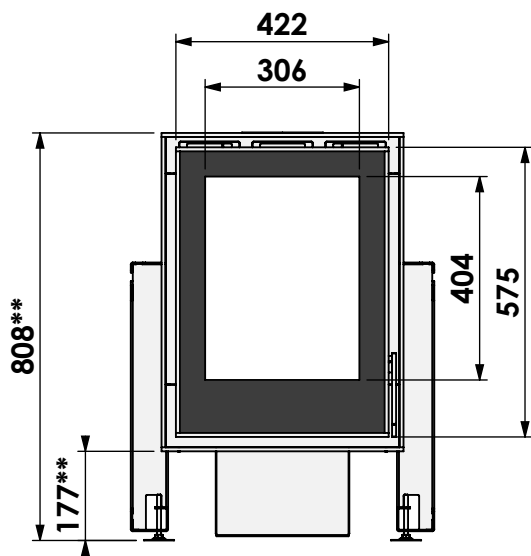
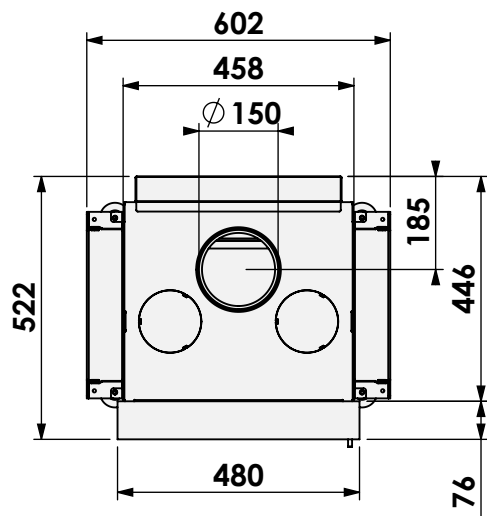
Name: Cuatro-7 50-60

Modifications reserved



Scale: 1:15  
 Unit: mm

Version: 0



inbouw, opbouw kader, luchtbox, convectie  
 built-in, surface-mounted frame, airbox, convection casing

\* = optional air inlet  $\varnothing$  125 mm

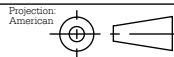
\*\* = optional extended adjustable legs, max +150 mm

**barbas**

Barbas Bellfires B.V.  
 Hallenstraat 17  
 5531 AB Bladel  
 The Netherlands  
 www.barbasbellfires.com

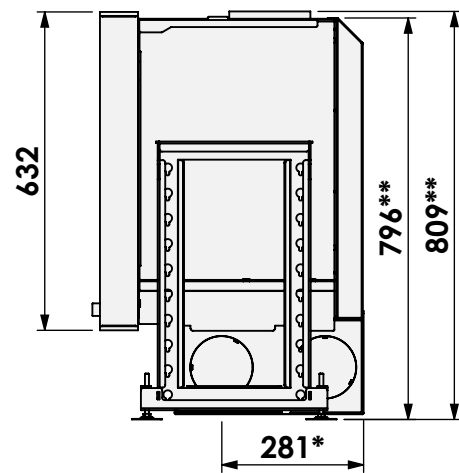
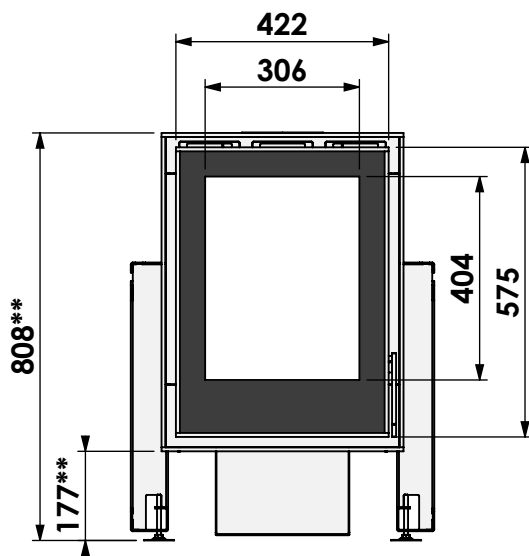
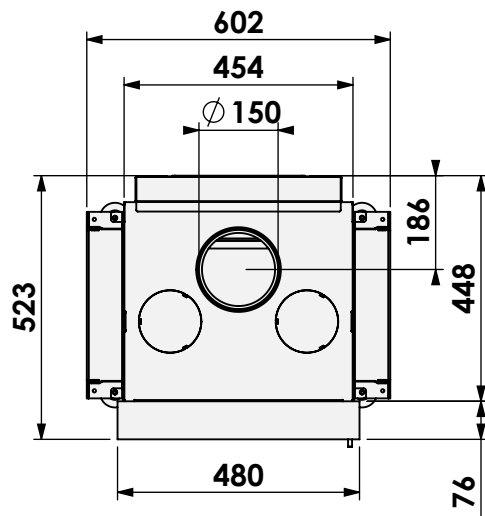
Name: Cuatro-7 50-60

Modifications reserved



Scale: 1:15  
 Unit: mm

Version: 0



inbouw, opbouw kader, Opti-Air en/of ventilator  
 built-in, surface-mounted frame, Opti-Air and/or fan

\* = optional air inlet  $\varnothing$  125 mm

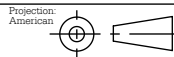
\*\* = optional extended adjustable legs, max +150 mm

**barbas**

Barbas Bellfires B.V.  
 Hallenstraat 17  
 5531 AB Bladel  
 The Netherlands  
 www.barbasbellfires.com

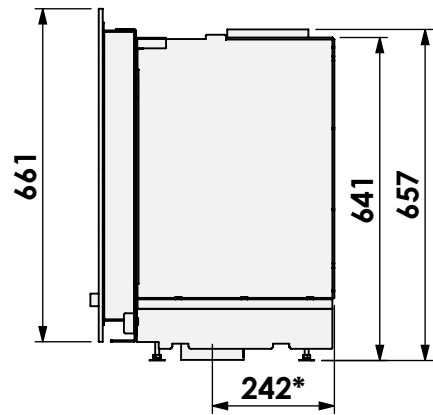
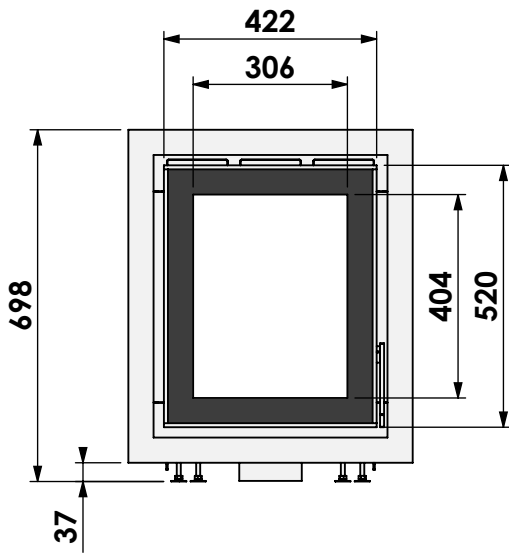
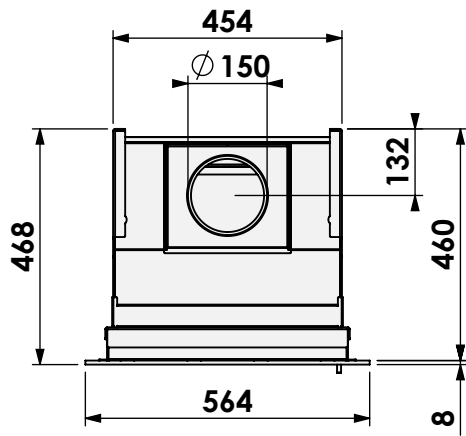
Name: Cuatro-7 50-60

Modifications reserved



Scale: 1:15  
 Unit: mm

Version: 0



inbouw, klassiek kader  
 built-in, classic frame

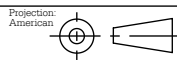
\* = air inlet  $\varnothing$  125 mm

**barbas**

Barbas Bellfires B.V.  
 Hallenstraat 17  
 5531 AB Bladel  
 The Netherlands  
 www.barbasbellfires.com

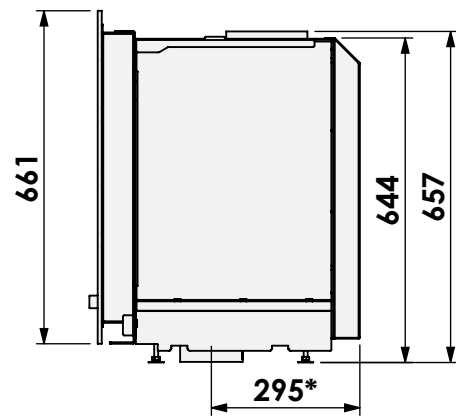
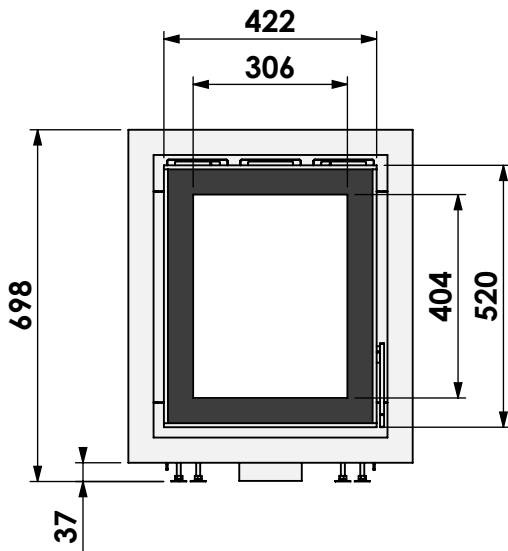
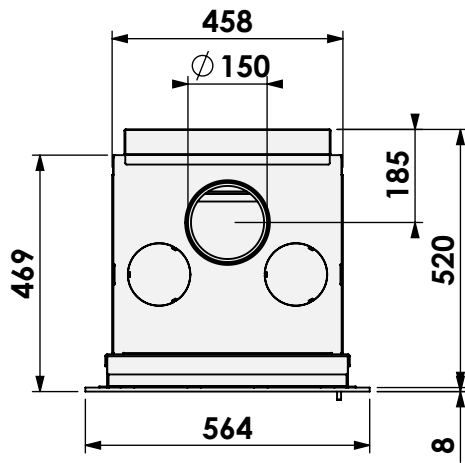
Name: Cuatro-7 50-60

Modifications reserved



Scale: 1:15  
 Unit: mm

Version: 0



inbouw, klassiek kader, convectie  
 built-in, classic frame, convection casing

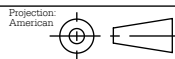
\* = air inlet  $\varnothing$  125 mm

**barbas**

Barbas Bellfires B.V.  
 Hallenstraat 17  
 5531 AB Bladel  
 The Netherlands  
 www.barbasbellfires.com

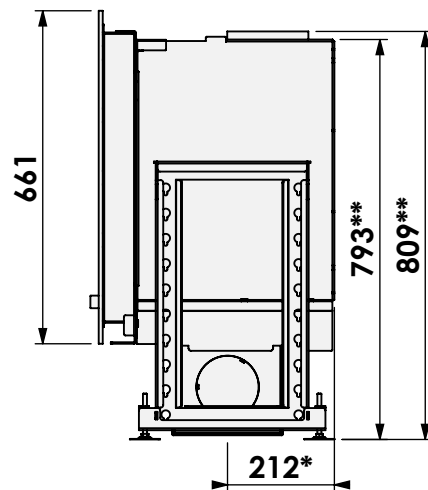
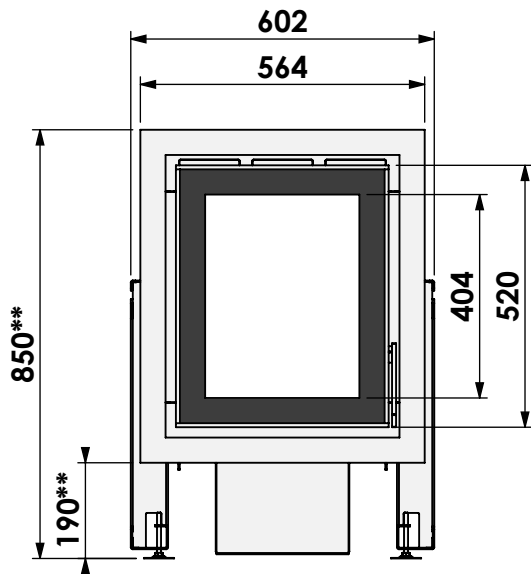
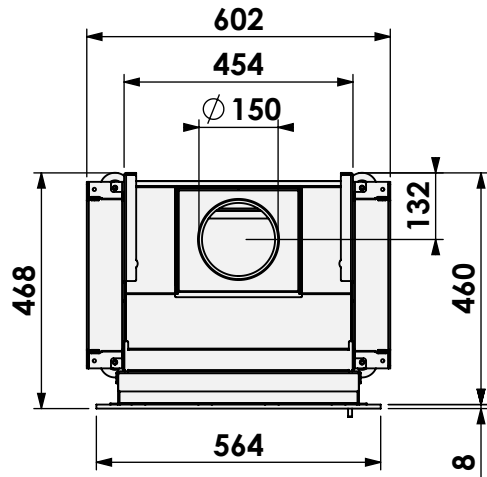
Name: Cuatro-7 50-60

Modifications reserved



Scale: 1:15  
 Unit: mm

Version: 0



inbouw, klassiek kader, luchtbox  
 built-in, classic frame, airbox

\* = optional air inlet  $\varnothing$  125 mm

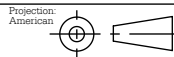
\*\* = optional extended adjustable legs, max +150 mm

**barbas**

Barbas Bellfires B.V.  
 Hallenstraat 17  
 5531 AB Bladel  
 The Netherlands  
 www.barbasbellfires.com

Name: Cuatro-7 50-60

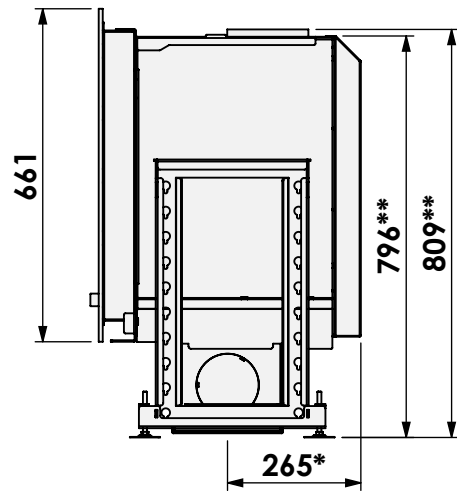
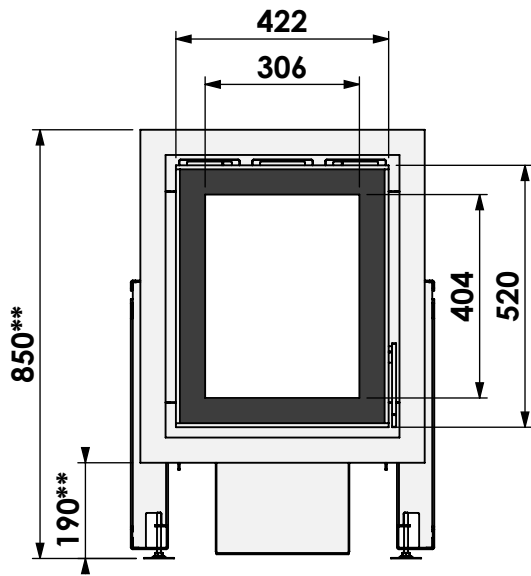
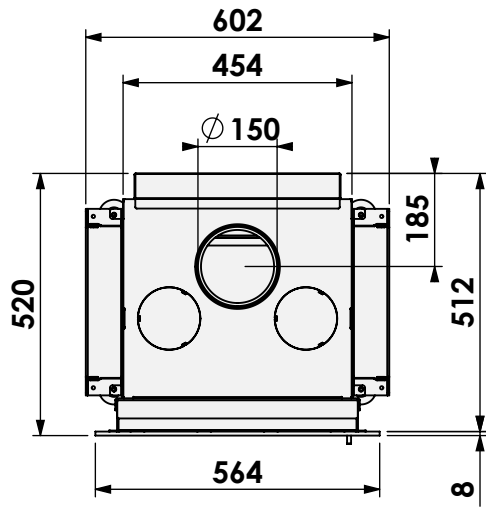
Modifications reserved



Scale: 1:15  
 Unit: mm

Version: 0





inbouw, klassiek kader, luchtbox, convectie  
 built-in, classic frame, airbox, convection casing

\* = optional air inlet  $\varnothing$  125 mm

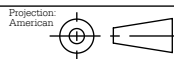
\*\* = optional extended adjustable legs, max +150 mm

**barbas**

Barbas Bellfires B.V.  
 Hallenstraat 17  
 5531 AB Bladel  
 The Netherlands  
 www.barbasbellfires.com

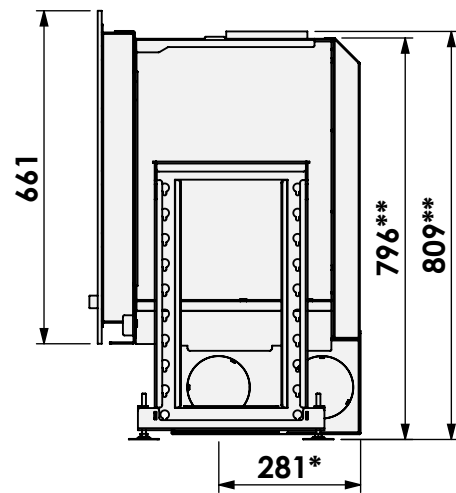
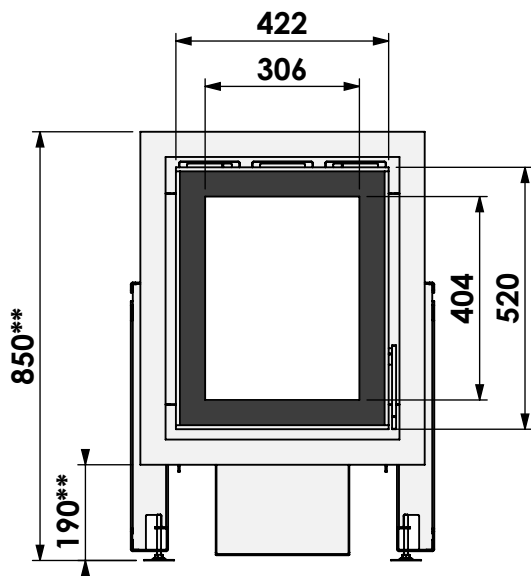
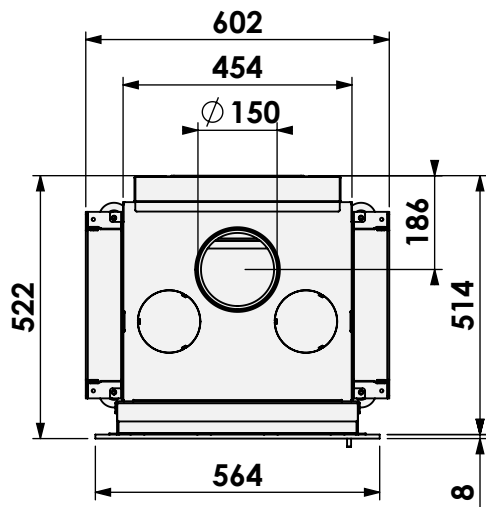
Name: Cuatro-7 50-60

Modifications reserved



Scale: 1:15  
 Unit: mm

Version: 0



inbouw, klassiek kader, Opti-Air en/of ventilator  
 built-in, classic frame, Opti-Air and/or fan

\* = optional air inlet  $\varnothing$  125 mm

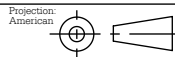
\*\* = optional extended adjustable legs, max +150 mm

**barbas**

Barbas Bellfires B.V.  
 Hallenstraat 17  
 5531 AB Bladel  
 The Netherlands  
 www.barbasbellfires.com

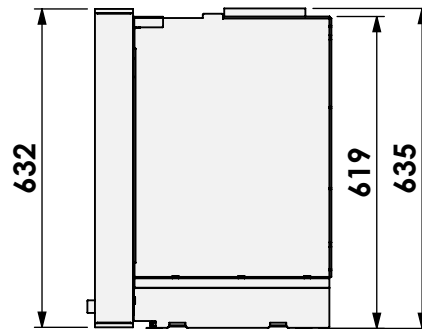
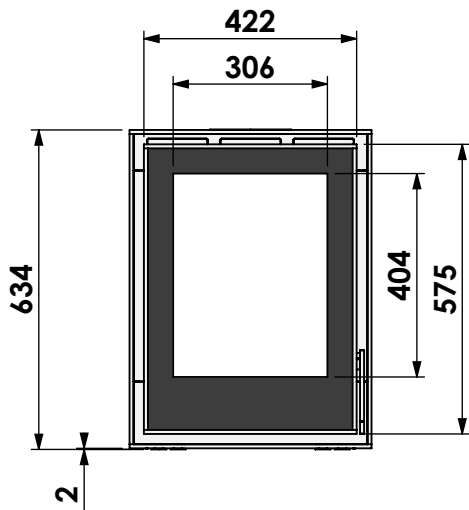
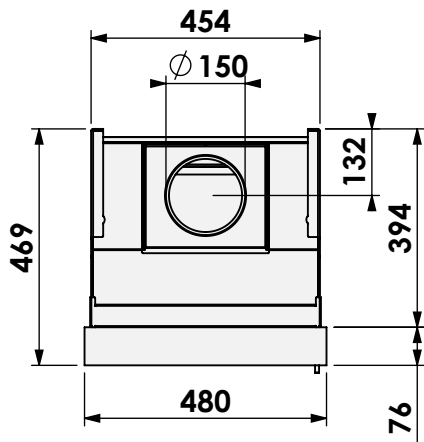
Name: Cuatro-7 50-60

Modifications reserved



Scale: 1:15  
 Unit: mm

Version: 0



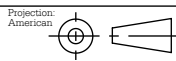
inzet, opbouw kader  
inset, surface-mounted frame

**barbas**

Barbas Bellfires B.V.  
Hallenstraat 17  
5531 AB Bladel  
The Netherlands  
www.barbasbellfires.com

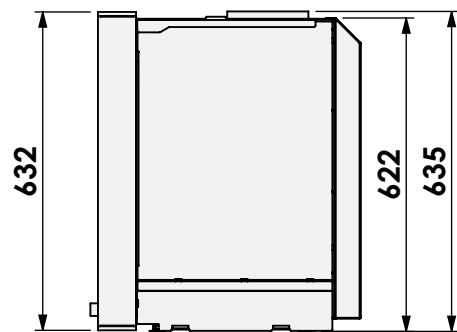
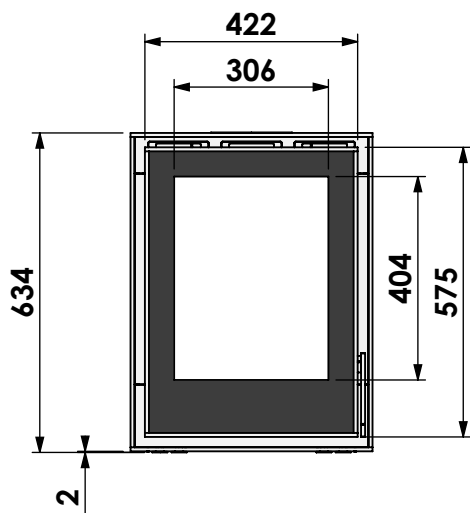
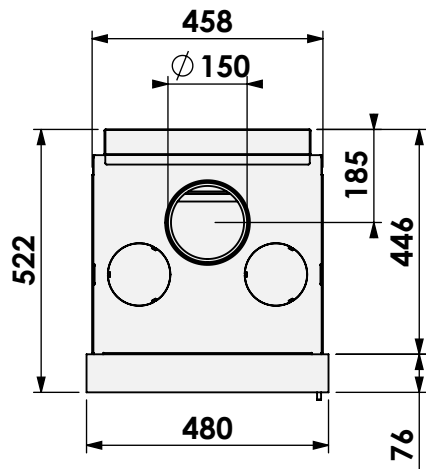
Name: Cuatro-7 50-60

Modifications reserved



Scale: 1:15  
Unit: mm

Version: 0



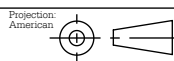
inzet, opbouw kader, convectie  
 inset, surface-mounted frame, convection casing

**barbas**

Barbas Bellfires B.V.  
 Hallenstraat 17  
 5531 AB Bladel  
 The Netherlands  
 www.barbasbellfires.com

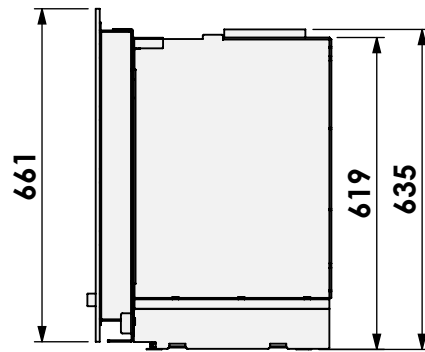
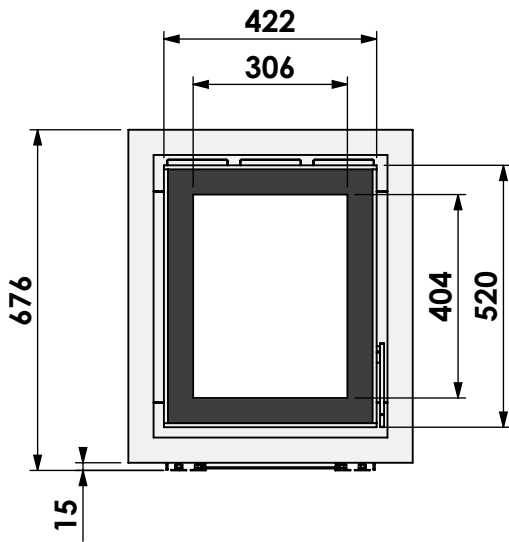
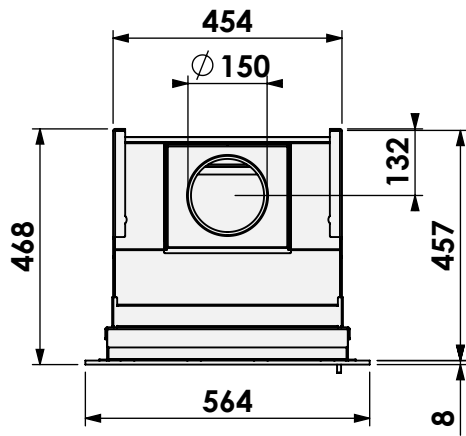
Name: Cuatro-7 50-60

Modifications reserved



Scale: 1:15  
 Unit: mm

Version: 0



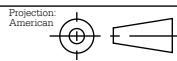
inzet, klassiek kader  
inset, classic frame

**barbas**

Barbas Bellfires B.V.  
Hallenstraat 17  
5531 AB Bladel  
The Netherlands  
www.barbasbellfires.com

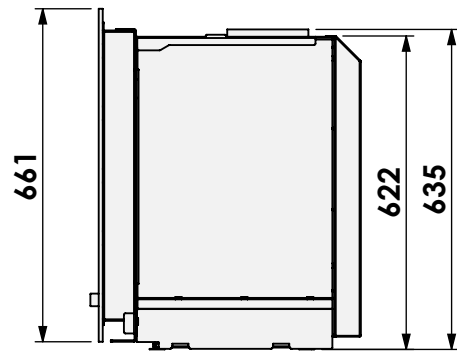
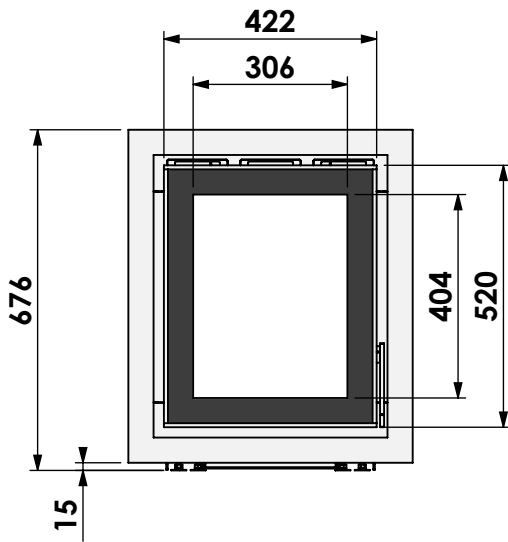
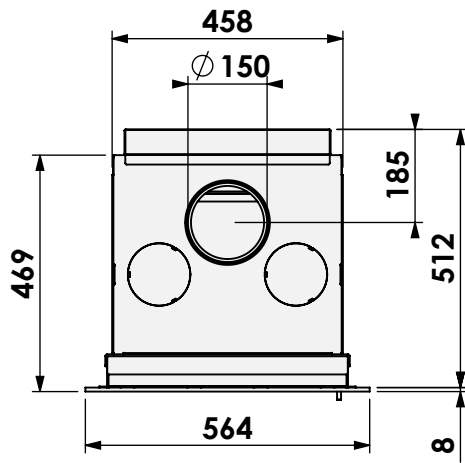
Name: Cuatro-7 50-60

Modifications reserved



Scale: 1:15  
Unit: mm

Version: 0



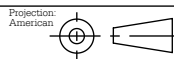
inzet, klassiek kader, convectie  
inset, classic frame, convection casing

**barbas**

Barbas Bellfires B.V.  
Hallenstraat 17  
5531 AB Bladel  
The Netherlands  
www.barbasbellfires.com

Name: Cuatro-7 50-60

Modifications reserved



Scale: 1:15  
Unit: mm

Version: 0