

inbouw/opbouw kader  
 built-in/surface-mounted frame

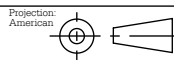
\* = air inlet  $\varnothing$  125 mm

**barbas**

Barbas Bellfires B.V.  
 Hallenstraat 17  
 5531 AB Bladel  
 The Netherlands  
 www.barbasbellfires.com

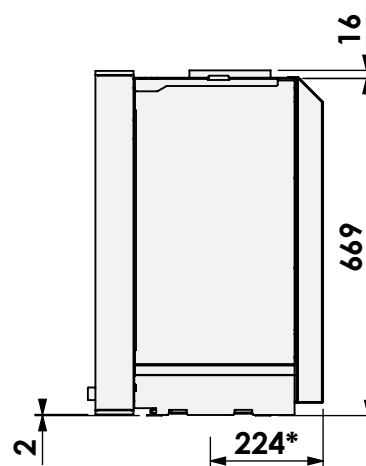
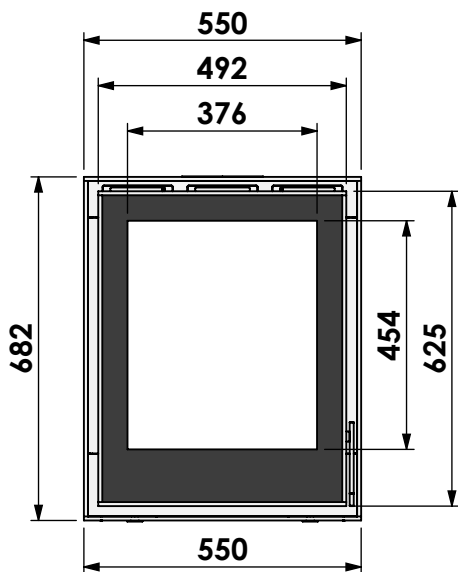
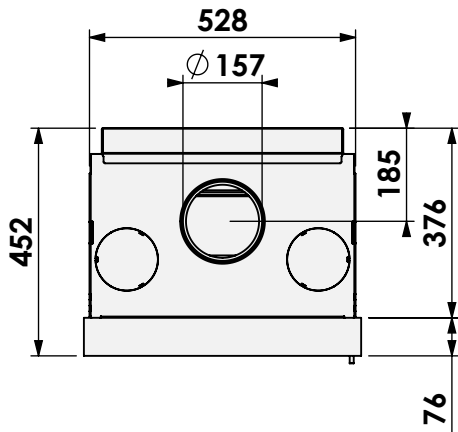
Name: Cuatro-7 compact 55

Modifications reserved



Scale: 1:15  
 Unit: mm

Version: 0



inbouw/opbouw kader, convectie  
 built-in/surface-mounted frame, convection casing

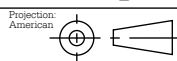
\* = air inlet  $\varnothing$  125 mm

**barbas**

Barbas Bellfires B.V.  
 Hallenstraat 17  
 5531 AB Bladel  
 The Netherlands  
 www.barbasbellfires.com

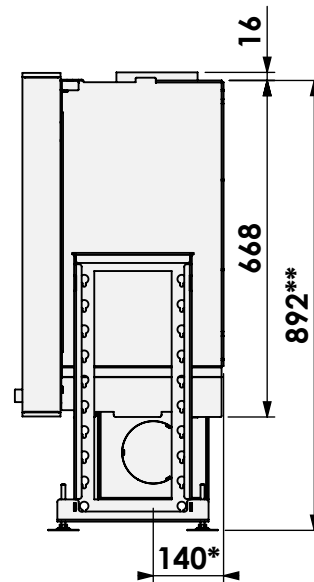
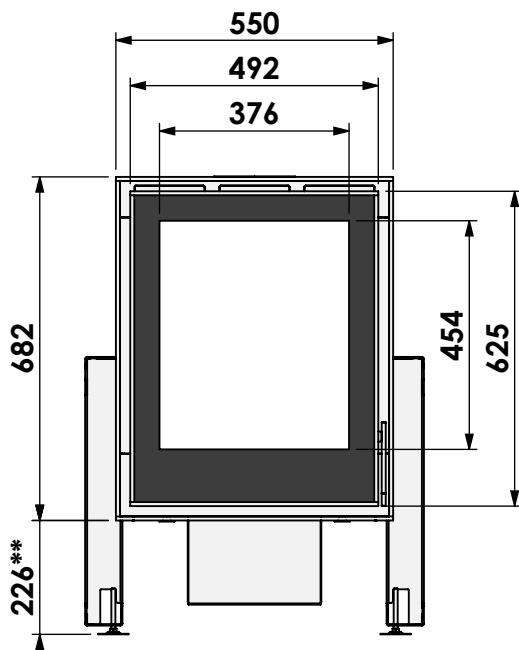
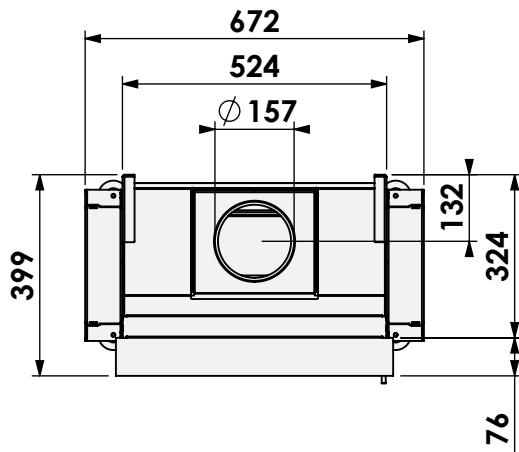
Name: Cuatro-7 compact 55

Modifications reserved



Scale: 1:15  
 Unit: mm

Version: 0



inbouw/opbouw kader, luchtbox  
 built-in/surface-mounted frame, airbox

\* = optional air inlet  $\varnothing$  125 mm

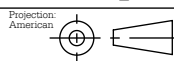
\*\* = optional extended adjustable legs, max +150 mm

**barbas**

Barbas Bellfires B.V.  
 Hallenstraat 17  
 5531 AB Bladel  
 The Netherlands  
 www.barbasbellfires.com

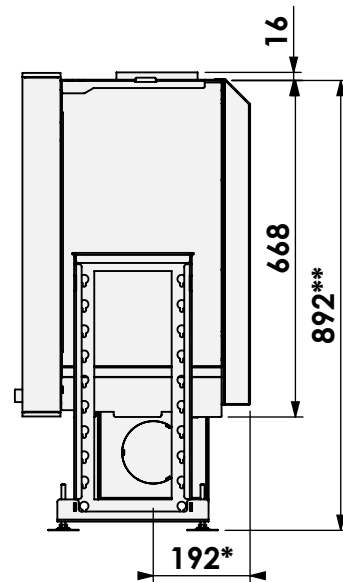
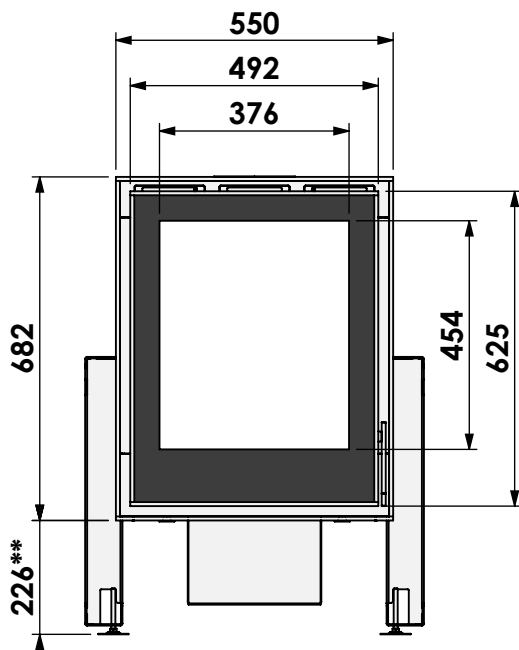
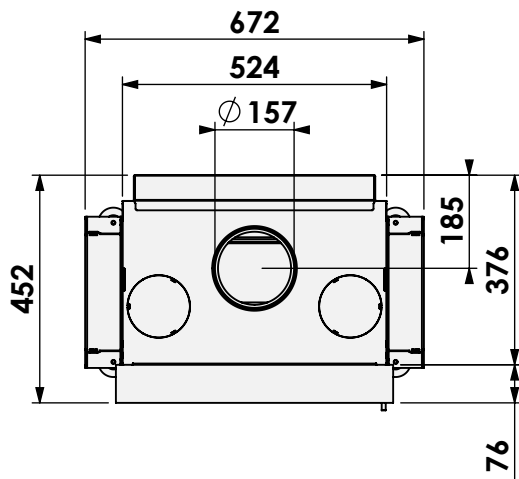
Name: Cuatro-7 compact 55

Modifications reserved



Scale: 1:15  
 Unit: mm

Version: 0



inbouw/opbouw kader, luchtbox, convectie  
 built-in/surface-mounted frame, airbox, convection casing

\* = optional air inlet  $\varnothing$  125 mm

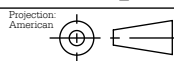
\*\* = optional extended adjustable legs, max +150 mm

**barbas**

Barbas Bellfires B.V.  
 Hallenstraat 17  
 5531 AB Bladel  
 The Netherlands  
 www.barbasbellfires.com

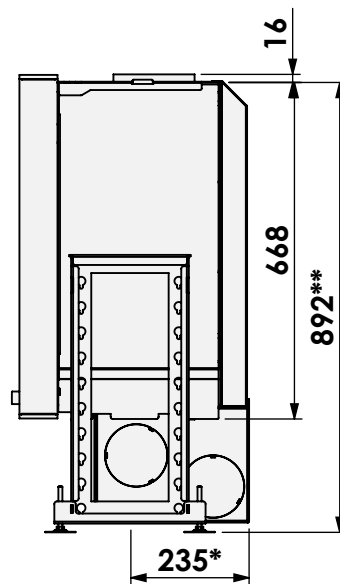
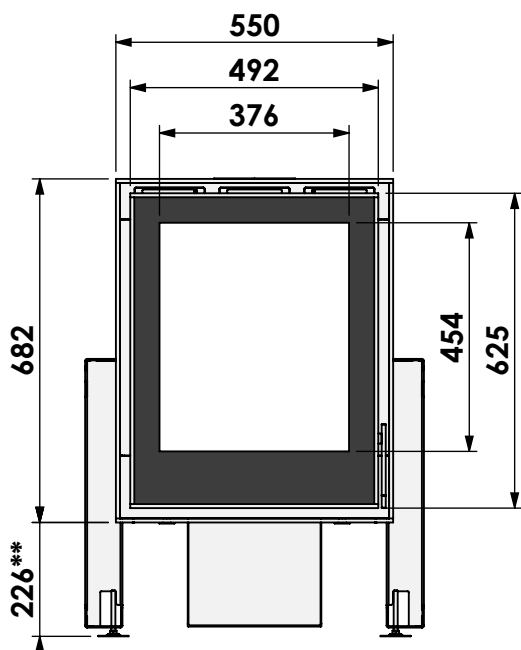
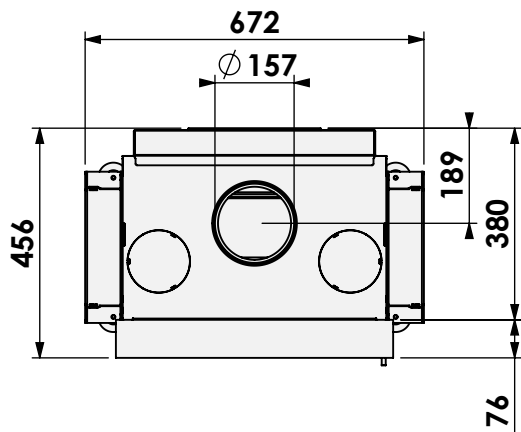
Name: Cuatro-7 compact 55

Modifications reserved



Scale: 1:15  
 Unit: mm

Version: 0



inbouw/opbouw kader, Opti-Air en/of ventilator  
 built-in/surface-mounted frame, Opti-Air and/or fan

\* = optional air inlet  $\varnothing$  125 mm

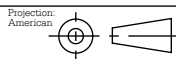
\*\* = optional extended adjustable legs, max +150 mm

**barbas**

Barbas Bellfires B.V.  
 Hallenstraat 17  
 5531 AB Bladel  
 The Netherlands  
 www.barbasbellfires.com

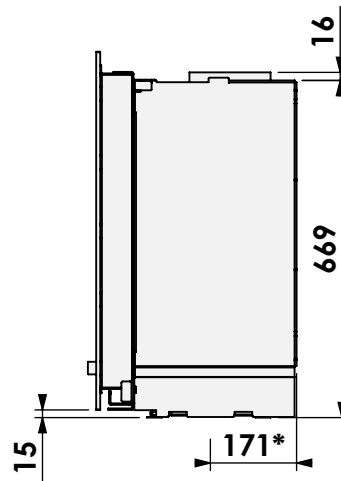
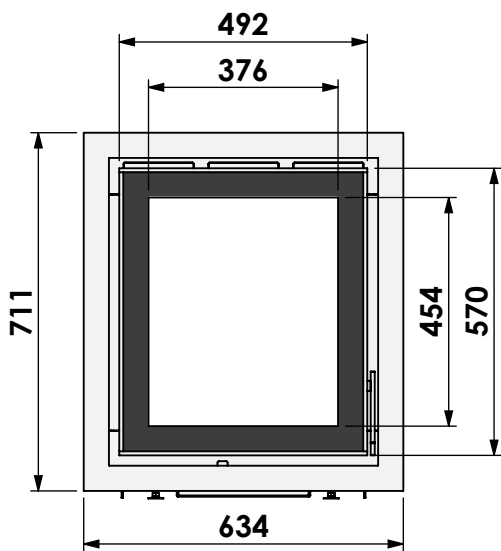
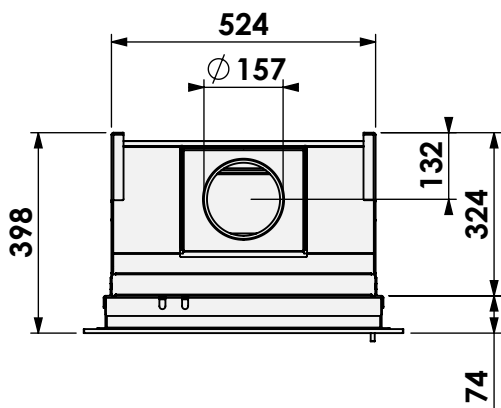
Name: Cuatro-7 compact 55

Modifications reserved



Scale: 1:15  
 Unit: mm

Version: 0



klassiek kader  
classic frame

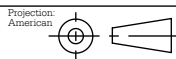
\* = air inlet  $\varnothing 125$  mm

**barbas**

Barbas Bellfires B.V.  
Hallenstraat 17  
5531 AB Bladel  
The Netherlands  
www.barbasbellfires.com

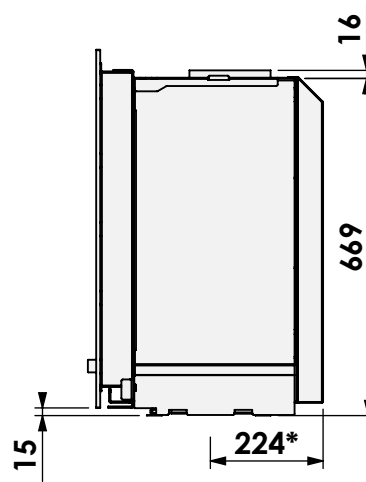
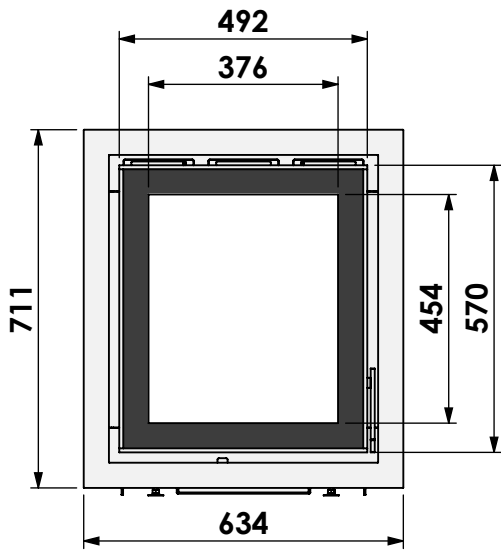
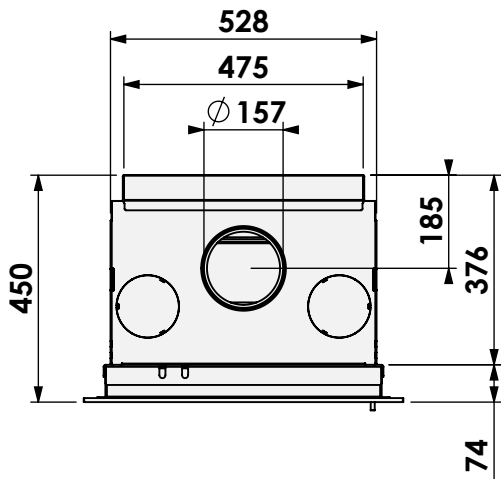
Name: Cuatro-7 compact 55

Modifications reserved



Scale: 1:15  
Unit: mm

Version: 0



klassiek kader, convectie  
 classic frame, convection casing

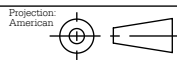
\* = air inlet  $\varnothing$  125 mm

**barbas**

Barbas Bellfires B.V.  
 Hallenstraat 17  
 5531 AB Bladel  
 The Netherlands  
 www.barbasbellfires.com

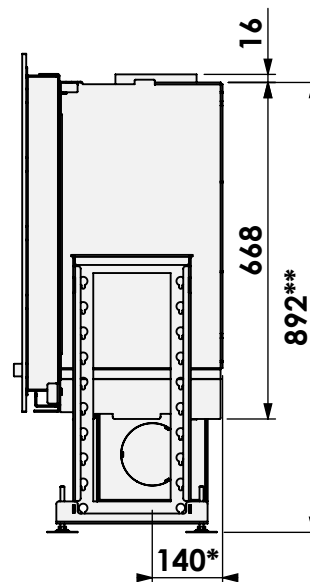
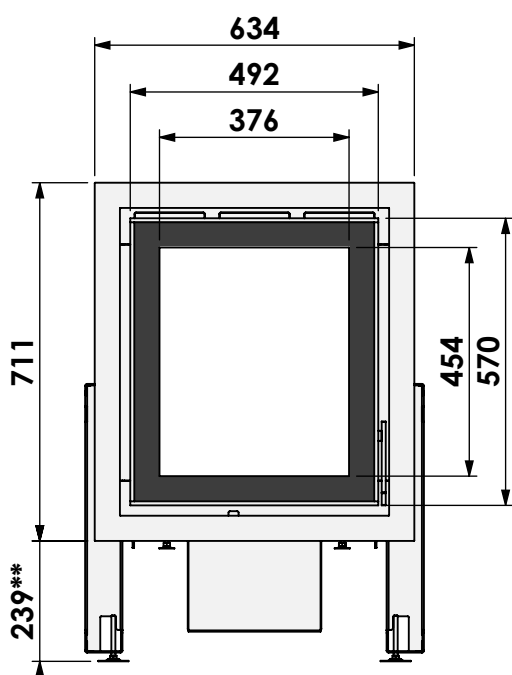
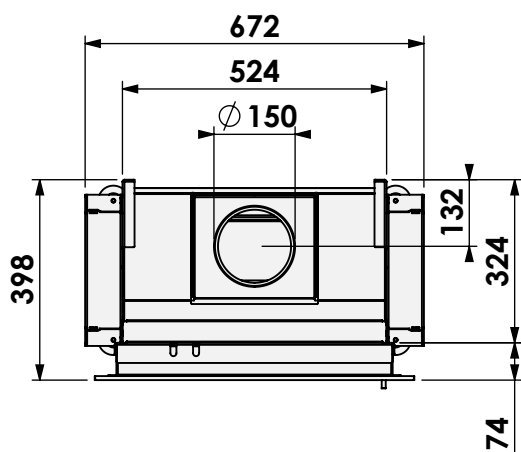
Name: Cuatro-7 compact 55

Modifications reserved



Scale: 1:15  
 Unit: mm

Version: 0



klassiek kader, luchtbox  
 classic frame, airbox

\* = optional air inlet  $\varnothing$  125 mm

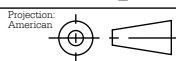
\*\* = optional extended adjustable legs, max +150 mm

**barbas**

Barbas Bellfires B.V.  
 Hallenstraat 17  
 5531 AB Bladel  
 The Netherlands  
 www.barbasbellfires.com

Name: Cuatro-7 compact 55

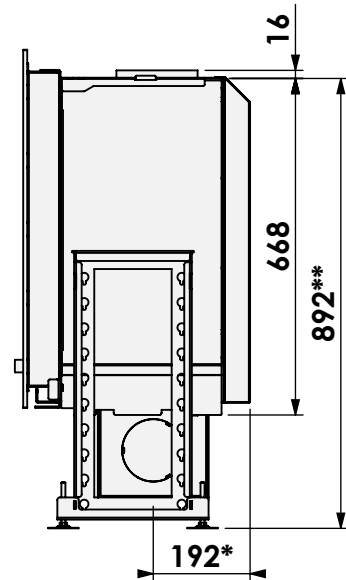
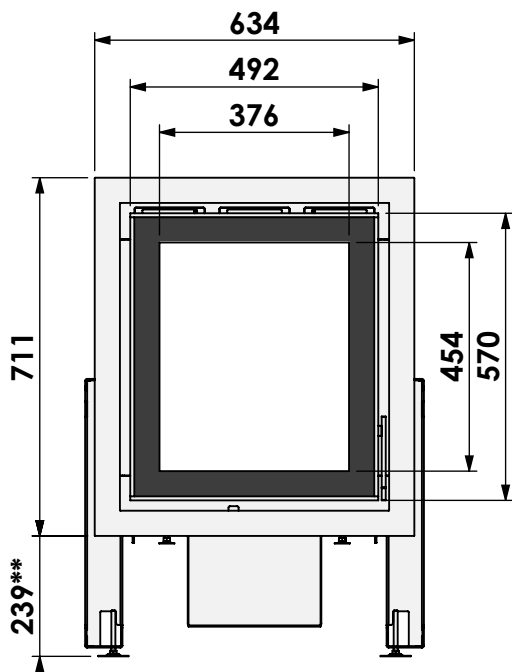
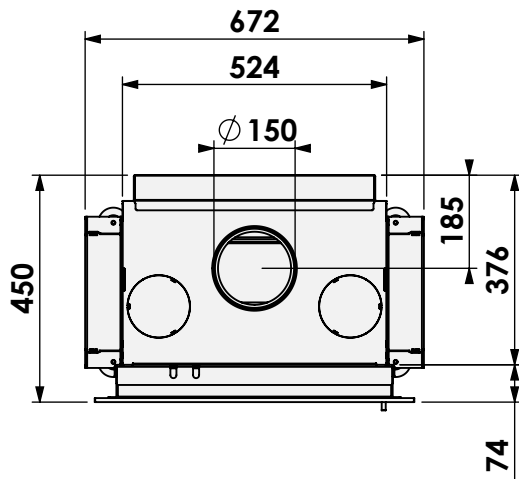
Modifications reserved



Scale: 1:15  
 Unit: mm

Version: 0





klassiek kader, luchtbox  
 classic frame, airbox

\* = optional air inlet  $\varnothing$  125 mm

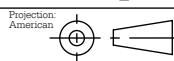
\*\* = optional extended adjustable legs, max +150 mm

**barbas**

Barbas Bellfires B.V.  
 Hallenstraat 17  
 5531 AB Bladel  
 The Netherlands  
 www.barbasbellfires.com

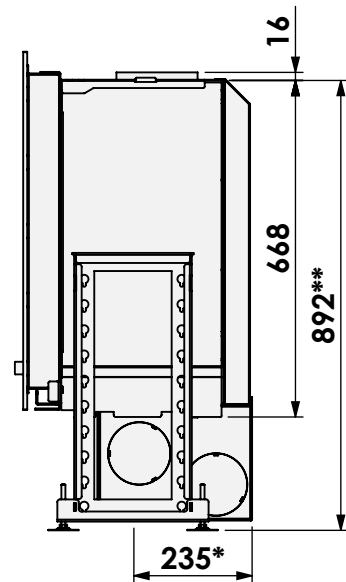
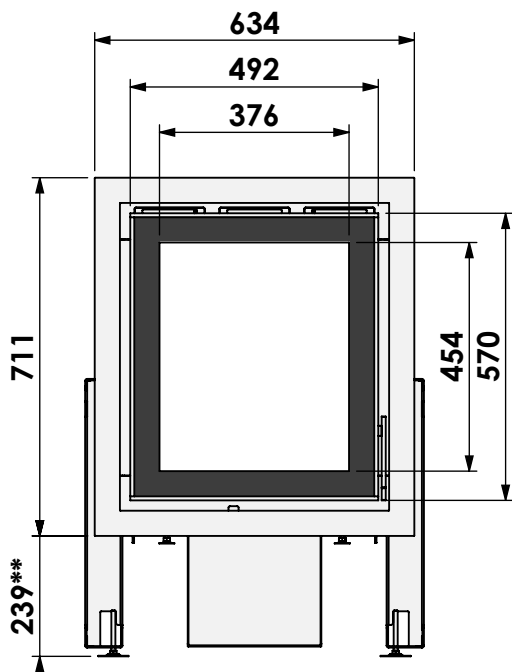
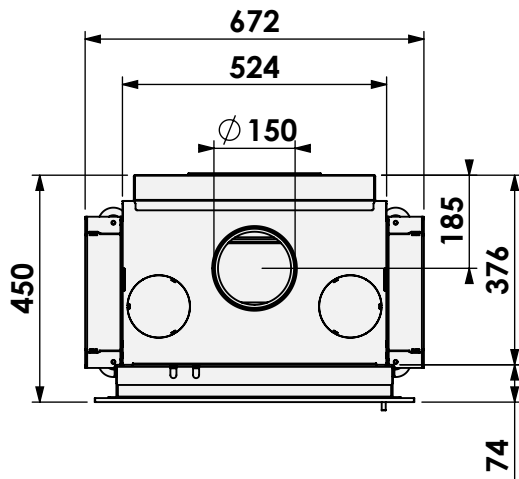
Name: Cuatro-7 compact 55

Modifications reserved



Scale: 1:15  
 Unit: mm

Version: 0



klassiek kader, luchtbox  
 classic frame, airbox

\* = optional air inlet  $\varnothing$  125 mm

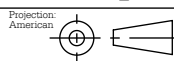
\*\* = optional extended adjustable legs, max +150 mm

**barbas**

Barbas Bellfires B.V.  
 Hallenstraat 17  
 5531 AB Bladel  
 The Netherlands  
 www.barbasbellfires.com

Name: Cuatro-7 compact 55

Modifications reserved



Scale: 1:15  
 Unit: mm

Version: 0