

zonder voetstuk (op maat gemaakt door eindgebruiker)  
 without base (custom-made by end-user)

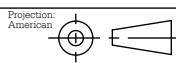
\* = optional air inlet  $\varnothing$  125 mm

**barbas**

Barbas Bellfires B.V.  
 Hallenstraat 17  
 5531 AB Bladel  
 The Netherlands  
 www.barbasbellfires.com

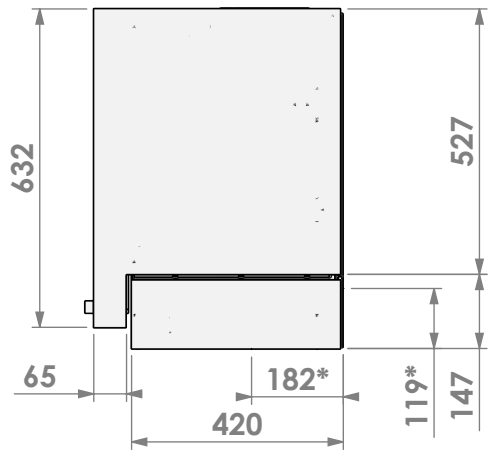
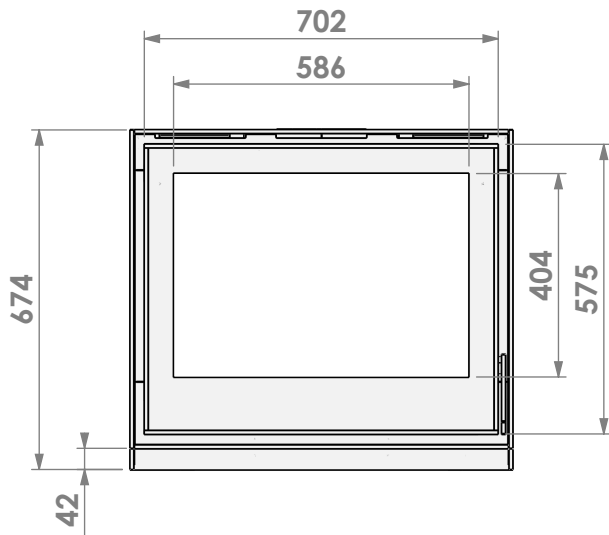
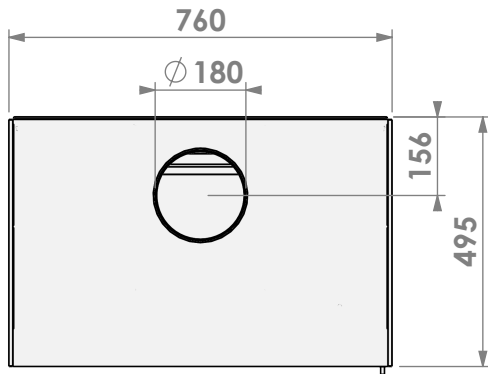
Name: **BOX<sup>30</sup> 75**

Modifications reserved



Scale: **1:15**  
 Unit: **mm**

Version: **0**



stalen voetstuk  
steelbase

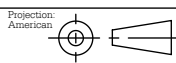
\* = optional air inlet  $\varnothing$  125 mm

**barbas**

Barbas Bellfires B.V.  
Hallenstraat 17  
5531 AB Bladel  
The Netherlands  
www.barbasbellfires.com

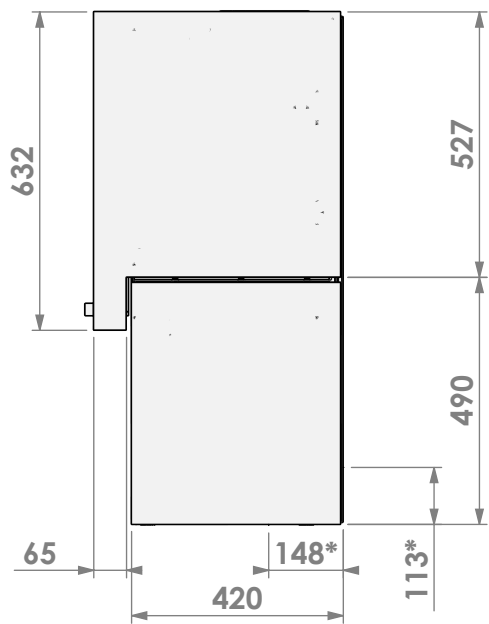
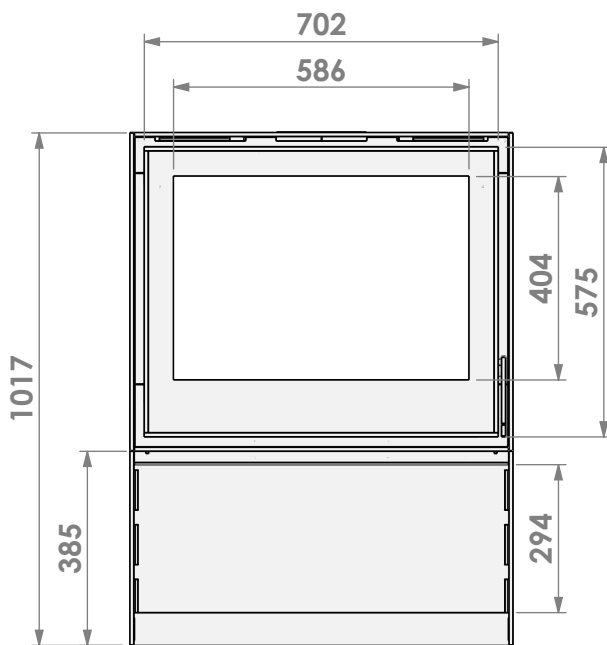
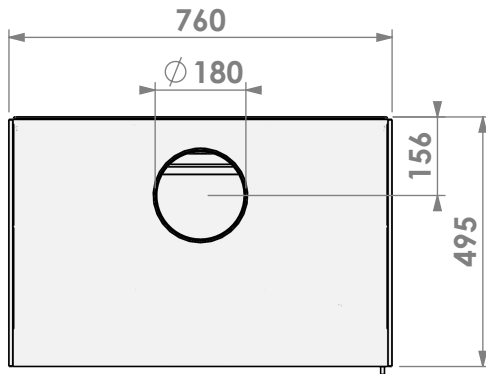
Name: **BOX<sup>30</sup> 75**

Modifications reserved



Scale: **1:15**  
Unit: **mm**

Version: **0**



houtopslagmodule  
wood log storage module

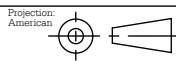
\* = optional air inlet  $\varnothing$  125 mm

**barbas**

Barbas Bellfires B.V.  
Hallenstraat 17  
5531 AB Bladel  
The Netherlands  
www.barbasbellfires.com

Name: **BOX<sup>30</sup> 75**

Modifications reserved



Scale: **1:15**  
Unit: **mm**

Version: **0**