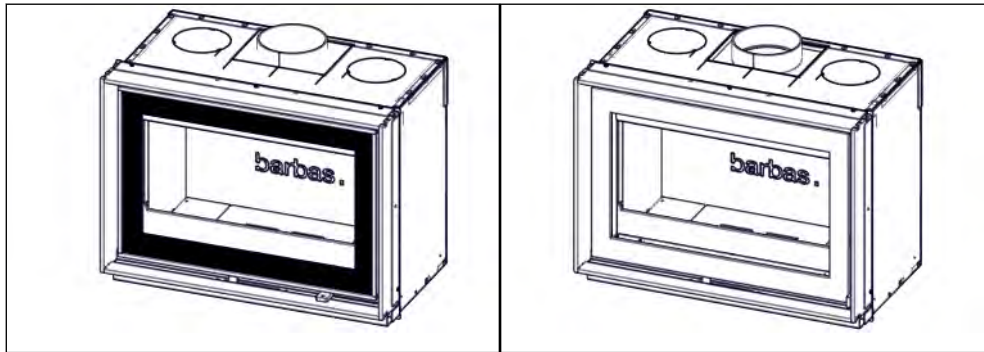


barbas .

Installation and maintenance manual

Unilux-7 65



Serial number:

Production date:

© Barbas Bellfires BV

This document or parts thereof may not be reproduced, stored in a retrieval system, or transmitted, in any form or by any means, electronic, mechanical, photocopying, recording, nor otherwise, without the prior written permission of Barbas Bellfires BV. This document could contain technical inaccuracies or typographical errors. Barbas Bellfires BV reserves the right to revise this document from time to time in the contents thereof.

Contact information

Barbas Bellfires BV

Hallenstraat 17, 5531 AB Bladel, The Netherlands

Phone: +31 49 733 9200

E-mail: info@barbas.com

Contents

1	Declaration of Performance.....	5
2	About this document.....	6
2.1	How to work with this document.....	6
2.2	Warnings and cautions used in this document.....	6
2.3	Related documentation.....	6
3	Description.....	7
3.1	Overview of the Unilux-7 65.....	7
3.2	Intended use.....	9
3.3	Installation examples.....	10
4	Safety.....	13
4.1	Safety instructions for installation.....	13
4.2	Safety instructions with regard to the environment.....	13
5	Clearances.....	14
5.1	Insulating material requirements.....	14
5.2	Clearances to flammable or load-bearing walls.....	14
5.3	Clearance to flammable floor (under the appliance).....	16
5.4	Clearances to flammable ceiling.....	16
5.5	Clearances to non-flammable walls.....	17
5.6	Clearances to a non-flammable ceiling.....	19
5.7	Clearances in front of the appliance.....	20
6	Installation.....	22
6.1	Installation requirements.....	22
6.1.1	Requirements on the installation of the appliance in an existing fireplace.....	22
6.1.2	Requirements on the installation of the appliance in a new built fireplace.....	22
6.1.3	Requirements on the chimney.....	23
6.2	Installation in an existing open fireplace.....	23
6.2.1	Preparation.....	23
6.2.2	Install the appliance.....	25
6.2.3	Horizontally align the appliance.....	26
6.2.4	Final check on the appliance.....	26
6.3	Installation in a new fireplace.....	26
6.3.1	Install the appliance.....	26
6.3.2	Connect the optional external air supply (rear connection).....	27
6.3.3	Connect the optional external air supply (bottom connection).....	28
6.3.4	Connect the flue gas pipe.....	28
6.3.5	Connect the convection set (optional).....	29
6.3.6	Insulate the appliance.....	30
6.3.7	Build the fireplace.....	30
6.3.8	Final check on the appliance.....	31

7	Maintenance.....	32
7.1	Appliance.....	32
7.2	Combustion air supply.....	32
7.3	Chimney.....	32
8	Removal of the interior of the combustion chamber.....	33
9	Technical data.....	37
9.1	Technical data.....	37
10	Dimensions	39
10.1	Frameless appliance.....	39
10.2	Appliance with built-in frame.....	41
10.3	Appliance with classic frame.....	43
10.4	Appliance with classic frame and 45° flue connector.....	45
11	Warranty Terms.....	47

1 Declaration of Performance

barbas bellfires .
Crafted to wonder

Declaration of Performance
According to regulation (EU) 305/2011
No. 1.813.003-3 - CPR-2013/07/01

1. Unique identification code of the product-type	Unilux-7 65
2. Intended use or uses of the construction product, in accordance with the applicable harmonised technical specification, as foreseen by the manufacturer	Room heater without hot water supply
3. Name, registered trade name or registered trade mark and contact address of the manufacturer as required pursuant to Article 11(5)	Barbas Bellfires BV; Hallenstraat 17; 5531 AB Bladel; The Netherlands
4. Where applicable, name and contact address of the authorised representative whose mandate covers the tasks specified in Article 12(2)	Not applicable
5. System or systems of assessment and verification of constancy of performance of the construction product as set out in Annex V	System 3
6. In case of the declaration of performance concerning a construction product covered by a harmonised standard	The notified laboratory SGS Nederland BV, No. 0608 performed the determination of the product type on the basis of type testing under system 3 and issued test report EZKA/2015-02/00001-1 & EZKA-2020-11-030-1
7. Declared performance	
Harmonized technical specification	EN13229:2001/A2:2004/AC:2007
Essential characteristics	Performance
Fire safety	Pass
Distance to combustible materials	Minimum distances, in mm Insulation thickness rear = 100 Insulation thickness sides = 100 Insulation thickness ceiling = 75 Front = 1800 Insulation thickness floor = 30
Risk of burning fuel falling out	Pass
Emission of combustion products	CO = 0.08 vol%
Surface temperature	Pass
Electrical safety	Pass
Cleanability	Pass
Release of dangerous substances	NPD
Maximum operating pressure	Not applicable
Flue gas temperature at nominal heat output	T = 323 °C
Mechanical resistance (to carry a chimney/flue)	NPD
Thermal output	Pass
Nominal heat output	8.7 kW
Room heating output	8.7 kW
Water heating output	- kW
Energy efficiency	75 %
8. The performance of the product identified in point 1 is in conformity with the declared performance in point 7. This declaration of performance is issued under the sole responsibility of the manufacturer identified in point 3.	

Signed for and on behalf of the manufacturer by:

Danny Baijens, CEO
(Name and function)

Bladel; February 1, 2021
(place and date of issue)



.....
(Signature)

2 About this document

This document shows the necessary information to do these tasks on the Unilux-7 65:

- Installation
- Maintenance

This document refers to the Unilux-7 65 as 'the appliance'. This document is an essential part of your appliance. Read it carefully before you do work on the appliance. Keep it in a safe place.

The original instructions of the document are in English. All other language versions of the document are translations of the original instructions. It is not always possible to provide a detailed illustration of every single item of the equipment. The illustrations in this document show a typical setup. The illustrations are for instructional use only.

2.1 How to work with this document

1. Make yourself familiar with the structure and content of the document.
2. Read the safety chapter in detail.
3. Make sure that you understand all the instructions.
4. Do the procedures completely and in the given sequence.

2.2 Warnings and cautions used in this document

Warning



If you do not obey these instructions, there is a risk that can cause personal injury or death.

Caution

If you do not obey these instructions, there is a risk of damage to the equipment or to property.

Note

A note shows more information.

Symbol	Description
	Visual sign that there is a hazard
	Visual sign that there is a notice

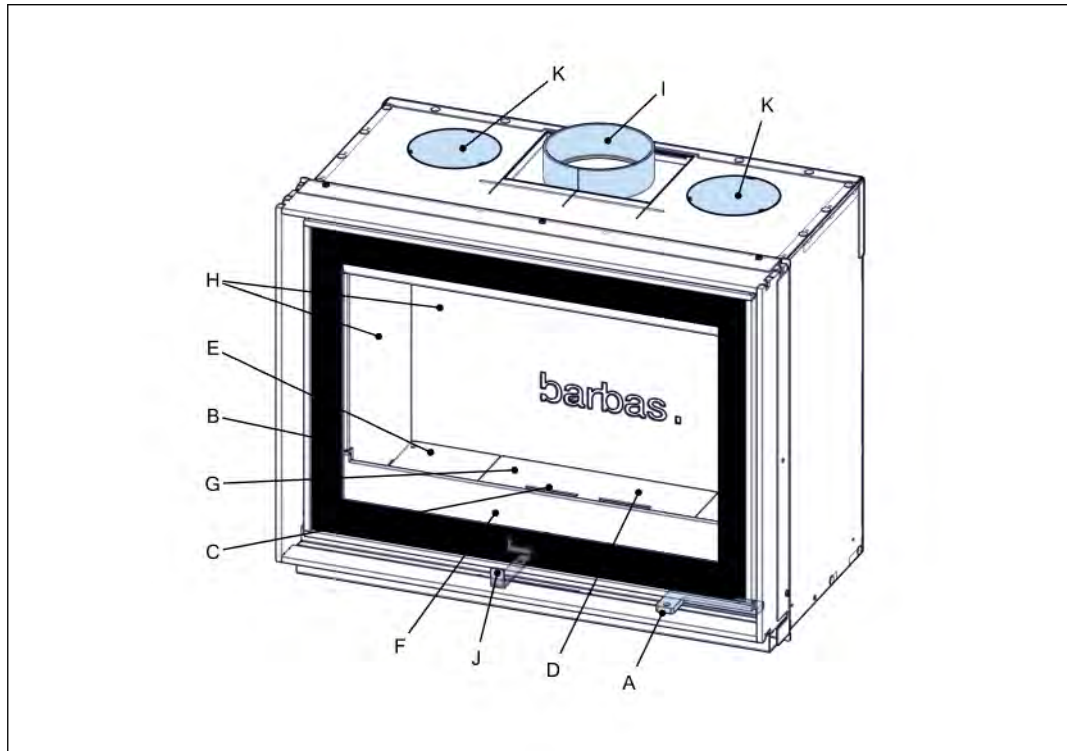
2.3 Related documentation

- Installation and maintenance manual
- User manual

3 Description

3.1 Overview of the Unilux-7 65

The Unilux-7 65 is available with a screened glass door or with a steel frame door.

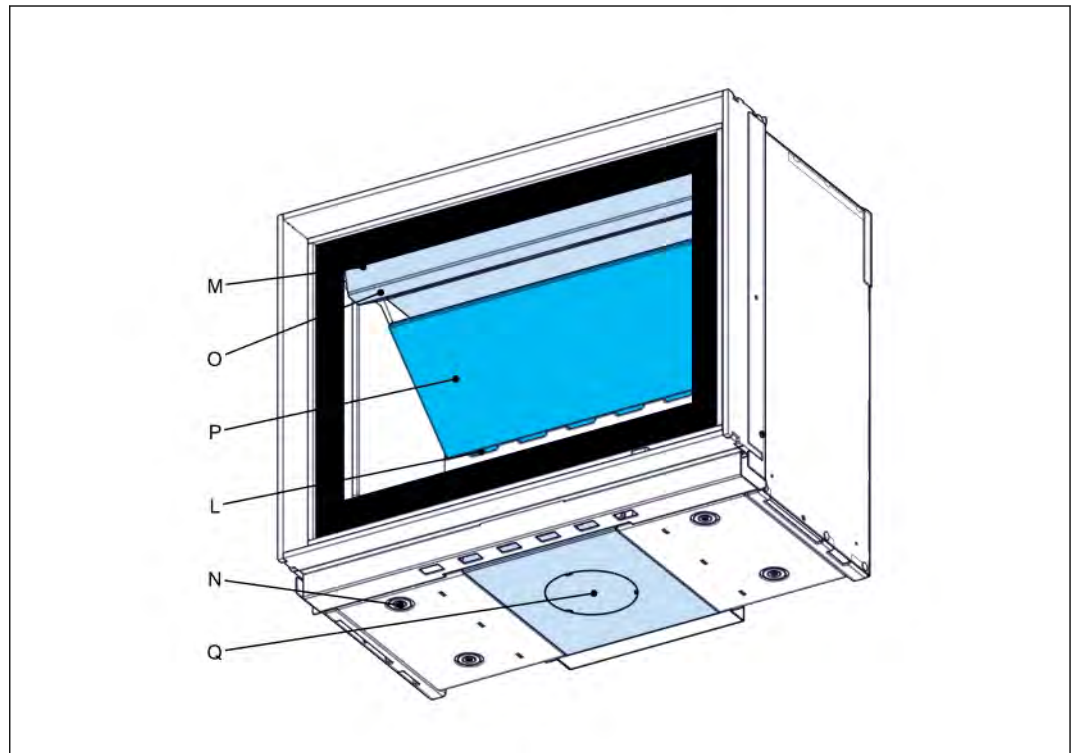


- | | | | |
|---|---------------------|---|------------------------------------|
| A | Door handle | G | Ash tray (under the grate) |
| B | Glass | H | Ceramic panels |
| C | Primary air inlet - | I | Top flue connector ¹ |
| D | Grate | J | Control lever |
| E | Steel bottom plates | K | Convection air outlet ² |
| F | Log guard | | |

Figure 1. Top view of the Unilux-7 65 with screened glass door

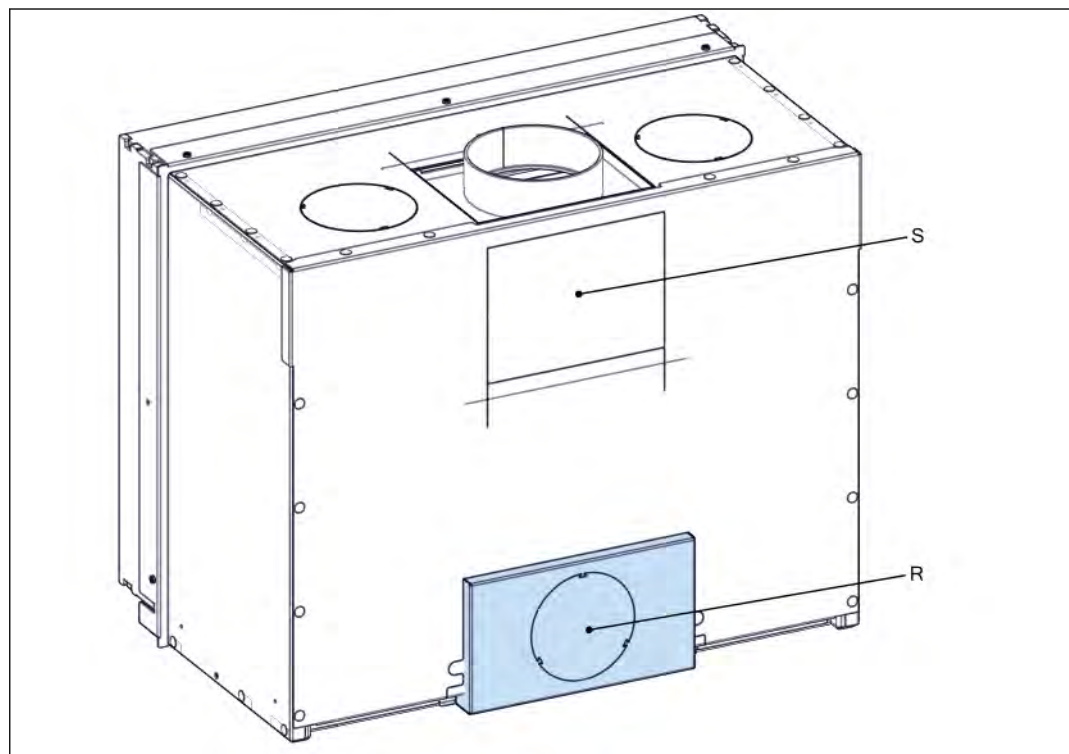
¹ Optionally a 45 degree flue connector is available.

² Not available for an appliance with a 45 degree flue connector.



- | | | | |
|---|---------------------|---|--|
| L | Secondary air inlet | O | Upper baffle (steel) |
| M | Air wash inlet | P | Lower baffle (ceramic) |
| N | Adjustable feet | Q | Connection for external combustion air |

Figure 2. Bottom view of the Unilux-7 65 with screened door



R Connection for external combustion air S Rear flue connector

Figure 3. Rear view of the Unilux-7 65

3.2 Intended use

The appliance is intended for indoor use to heat the room wherein it is installed. Do not use it for other purposes.

The appliance is intended for use with wood logs or wood briquettes as fuel. Do not use other fuels.

The appliance is intended for use with the door closed.

The appliance may only be used at the location that meets the requirements for the installation of the appliance.

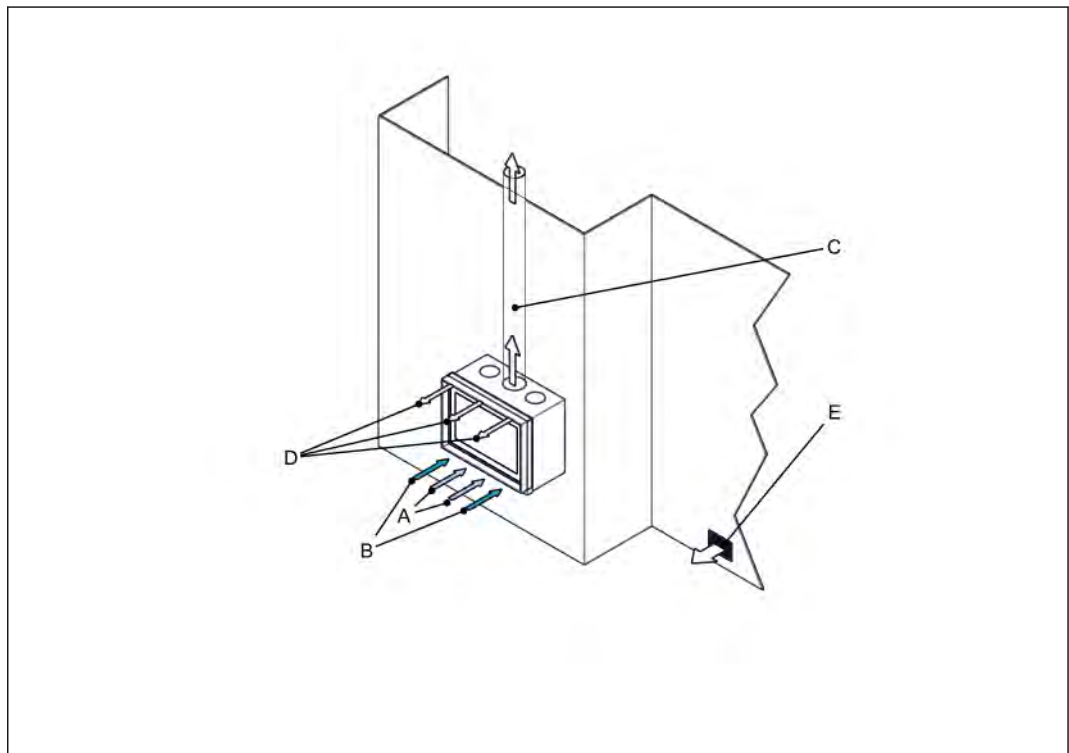
The appliance is intended for intermittent use and is not intended for continuous use.

The appliance is intended to heat the room by direct heating. It is not allowed to connect the appliance to a central-heating installation.

3.3 Installation examples

**Note:**

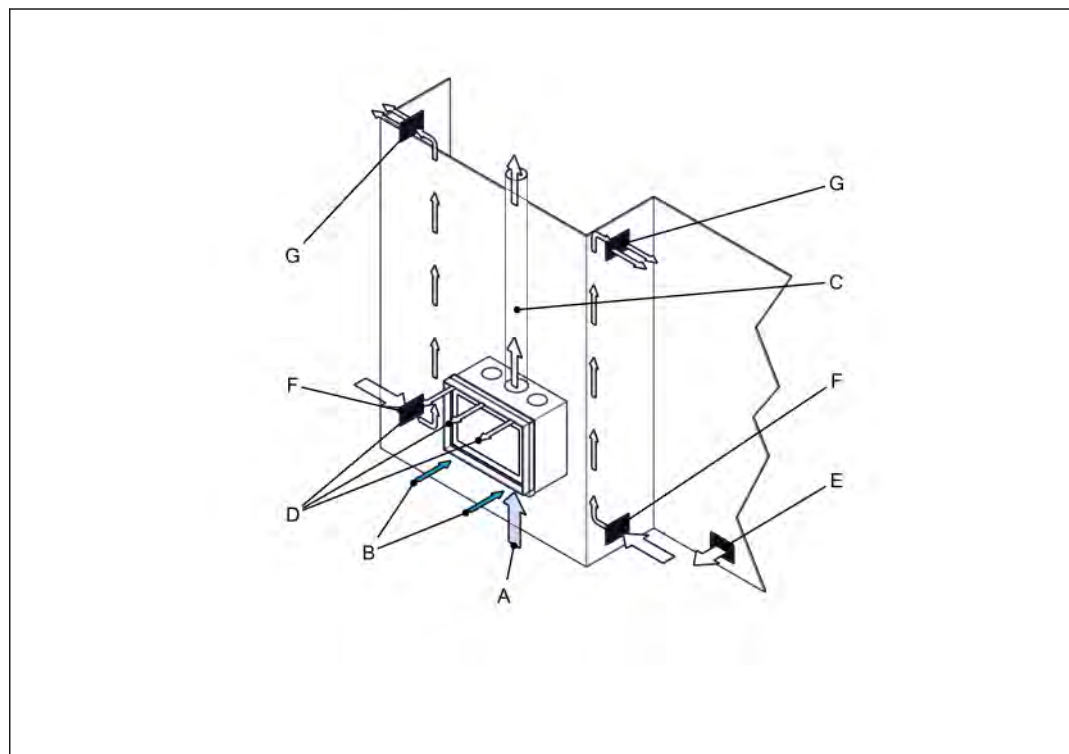
The illustrations shown in this paragraph are typical installation examples.



A Combustion air inlet
B Convection air inlet
C Chimney

D Convection air outlet
E Air supply to the room

Figure 4. Installation in an existing fireplace

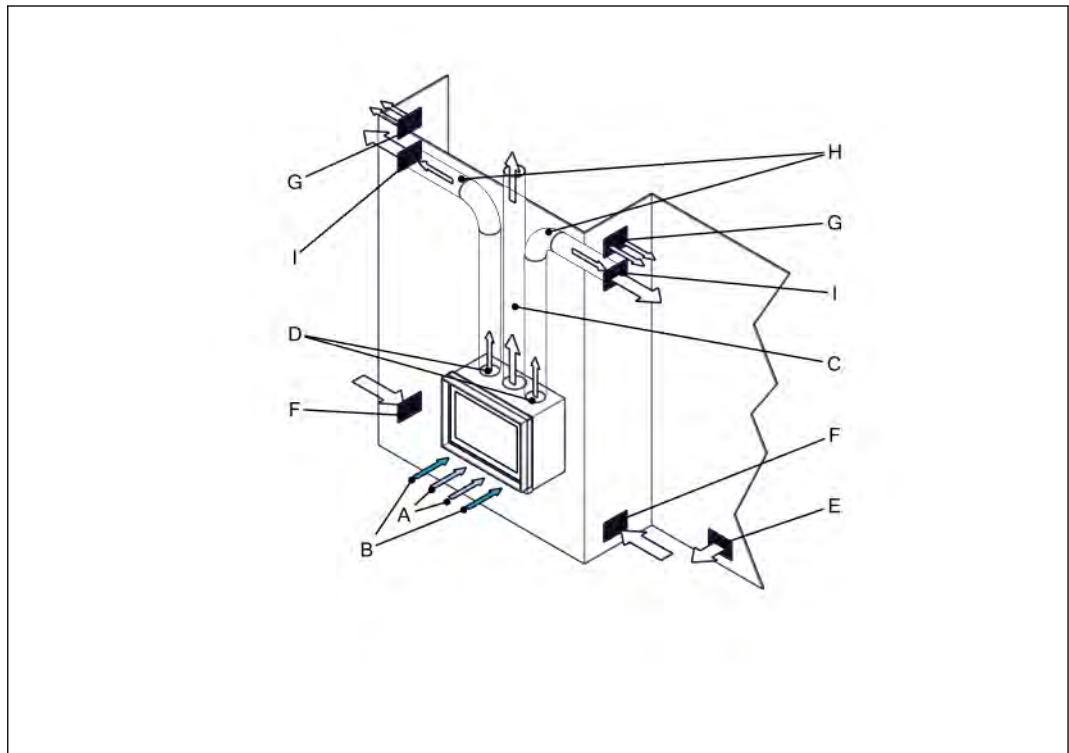


- | | | | |
|---|-----------------------------------|---|-----------------------------------|
| A | External combustion air inlet | E | Air supply to the room |
| B | Convection air inlet | F | Ventilation air inlet |
| C | Chimney | G | Convection/ventilation air outlet |
| D | Convection air outlet (appliance) | | |

Figure 5. Installation with external combustion air supply in a new fireplace surround



Note: It is not possible to install the convection set on an appliance with a 45° flue connector.



- | | | | |
|---|------------------------|---|-------------------------------|
| A | Combustion air inlet | F | Ventilation air inlet |
| B | Convection air inlet | G | Ventilation air outlet |
| C | Chimney | H | Flexible convection air pipes |
| D | Convection air outlet | I | Convection air outlet |
| E | Air supply to the room | | |

Figure 6. Installation with convection set in a new fireplace surround

4 Safety

4.1 Safety instructions for installation

**Warning:**

- Installation must be done by a qualified installer.
- Install the appliance in accordance with the following installation instructions and the national and local applicable regulations.
- Make sure that the area around the fireplace is free of flammable material at all times. The minimum safe distance is 180 cm.
- Do not install the appliance against flammable materials. Refer to chapter 5 for minimum clearances and suitable insulation material.

**Caution:**

- Install the appliance on a floor with adequate load-bearing capacity. Refer to chapter 9 for the weight of the appliance.
- It is not allowed to connect the appliance to a flue that is also connected to another appliance.
- Make sure that the chimney has no creaks and is in general good order.
- Install a suitable cap on the chimney outlet to avoid birds' nests build in the chimney.
- Parts in the appliance can be moved during transportation. Make sure these parts are in the correct position. See the user manual.
- Do not use masking tape on the appliance. Masking tape can damage the finish of the appliance.
- Make sure that the chimney temperature class is at least T400 sootfire resistant.
- Do not install the appliance in a room with a ventilation system that makes pressures below -15 Pa.

4.2 Safety instructions with regard to the environment

- Dispose of the packing materials in an environmentally friendly way.
- Dispose of ceramic heat-resistant glass as household waste. Do not dispose of ceramic heat-resistant glass in a glass recycling container.
- Dispose of an obsolete appliance according to instructions of the authorities or the fitter.
- Obey the local regulations.

5 Clearances



Warning: Follow the instructions in this chapter. Failure to follow these instructions can create a fire hazard.



Warning: Do not put the appliance directly against a flammable or non-flammable wall.

All clearances to flammable and non-flammable materials mentioned in this chapter must be obeyed.

5.1 Insulating material requirements

- Use insulating plates with a maximum thermal conductivity of 0.10 W/m.K or a thermal resistance of minimum 10 K.m/W. The table hereunder shows some examples of suitable insulating plate materials.

Table 1: Examples of insulation plates

Examples of suitable plate material	Thermal conductivity
Promat Promatect L insulating board	0.083 W/m.K
Skamol Skamotec 225	0.06 W/m.K
Skamol Super-Isol	0.08 W/m.K

- Only use white unbound ceramic insulation wool. Do not use glass wool or rock wool, these materials can cause a bad smell, unwanted smoke and is not applicable for high temperatures.

Table 2: Ceramic insulation wool requirements

Temperature resistance	> 700 °C
Density	> 80 kg/m ³

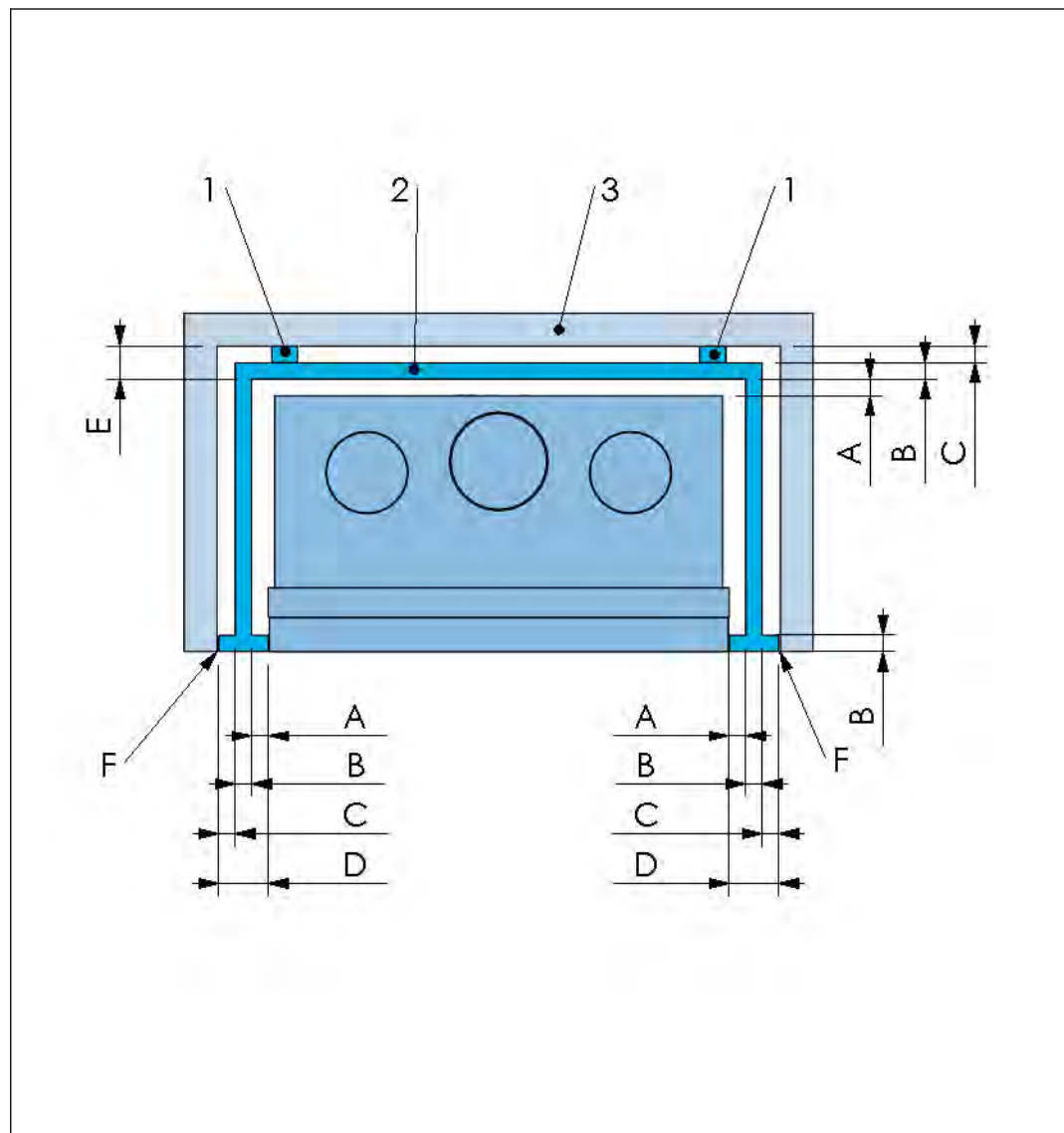
5.2 Clearances to flammable or load-bearing walls

Put a non-flammable insulation plate between the appliance and the rear wall and side wall according [Figure 7](#).

[Table 3](#) shows the minimum thickness of the insulation plates and the minimum clearances to flammable materials and walls.



Attention: Make sure there is a 3 mm clearance between the appliance and the surrounding construction, to allow for expansion of the appliance during use.



- 1 Non-flammable spacer
- 2 Non-flammable insulation plate
- 3 Flammable or load-bearing wall

Figure 7. Clearances to flammable wall - Top view

Table 3: dimensions and minimum clearances to a flammable wall

Item	Dimension
A	Air gap 25 mm
B	Thickness plate 100 mm
C	Air gap / Spacer 25 mm
D	A+B+C 150 mm
E	B+C 125 mm
F	Minimum 3 mm clearance between appliance and surrounding construction

5.3 Clearance to flammable floor (under the appliance)

Put a non-flammable insulation plate with a minimum thickness of 30 mm under the appliance. To avoid damage to this non-flammable plate, put ceramic or steel tiles (approx. 10 x 10 cm) under the feet of the appliance.

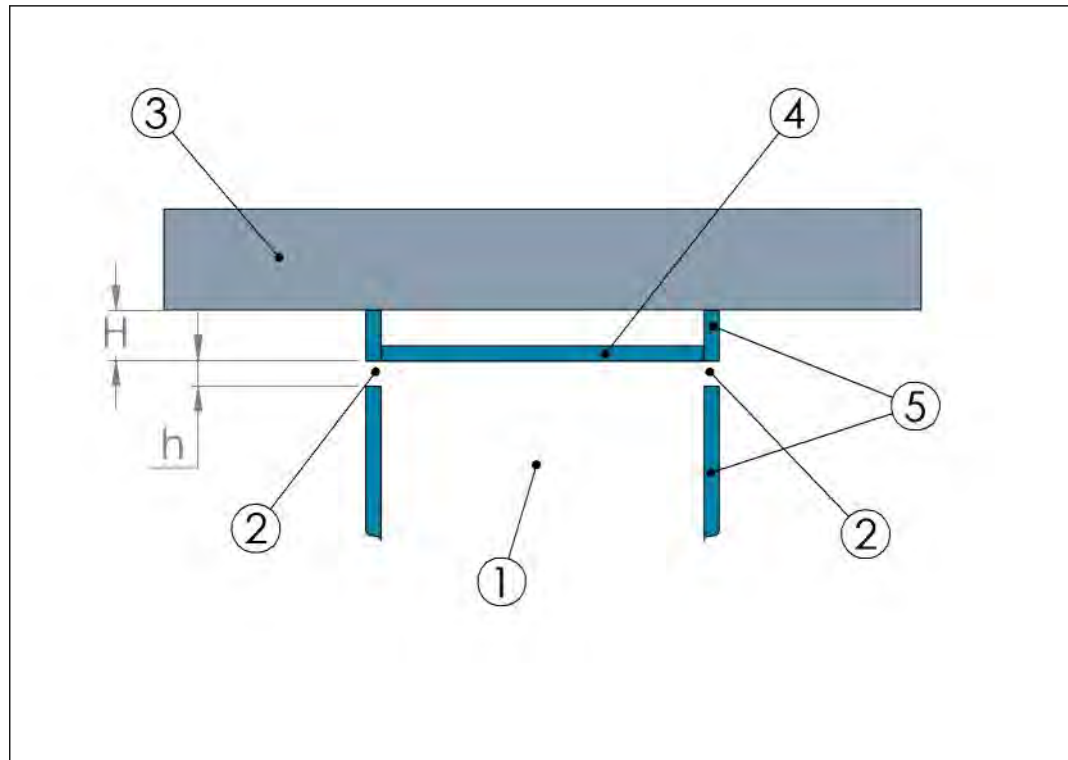
5.4 Clearances to flammable ceiling

Put a non-flammable insulation plate (false ceiling) of minimum 75 mm thickness at a height of minimum 50 cm above the appliance. Keep a free space of minimum 42.5 cm between the insulation plate and the flammable ceiling.

Alternative without a false ceiling: Make an open space of minimum 50 cm height between the chimney enclosure top side (complete width and depth of the enclosure) and the flammable ceiling

Figure 8. and *Table 4.* show the minimum thickness of the insulation plates and the minimum clearances to a flammable ceiling

Make sure the total area of the convection air outlet opening is minimum 300 cm².



- | | | | |
|---|-------------------------------|---|----------------------------------|
| 1 | Chimney enclosure | 4 | Insulation plate (false ceiling) |
| 2 | Convection air outlet opening | 5 | Insulation plates |
| 3 | Flammable ceiling | | |

Figure 8. Clearances to flammable ceiling - Front view

Table 4: Minimum dimension and clearance to flammable ceiling

		With false ceiling	Without false ceiling
h	Area of the convection air outlet opening	Minimum 300 mm ²	Minimum 50 cm open space between ceiling and chimney enclosure
H	Height of the false ceiling minimum distance convection air outlet opening - flammable ceiling	Minimum 50 cm (= 42.5 cm free space + 75 mm false ceiling)	Not applicable (the top side of the chimney enclosure is open with a clearance of minimum 50 cm to the flammable ceiling).

If a wooden beam is present above the appliance, make sure to protect it against direct heat radiation. Make sure to put a non-flammable insulation plate with a thickness of minimum 30 mm between the wooden beam and the appliance. with an air gap of minimum 1 cm between the insulation plate and the wooden beam.

5.5

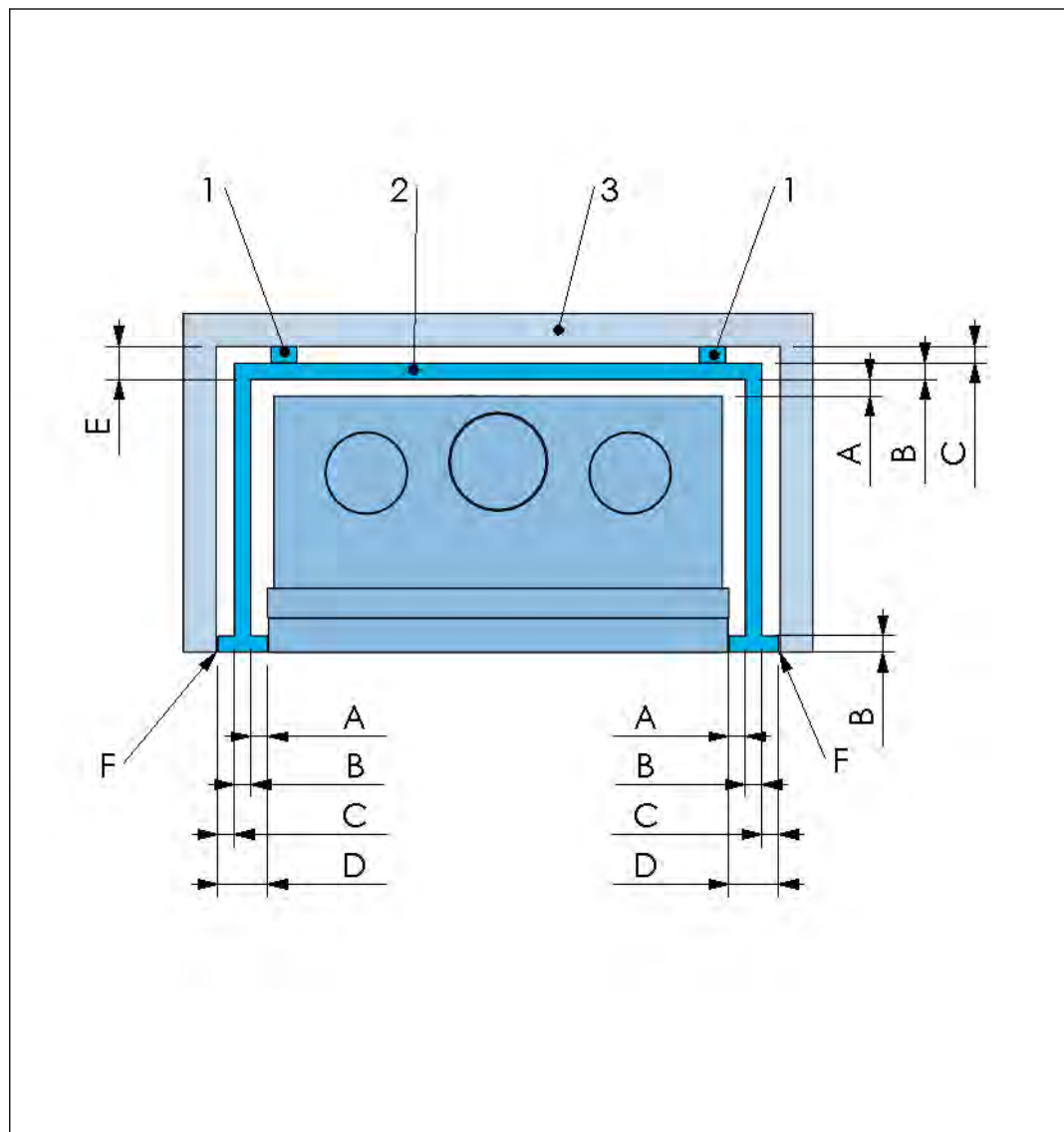
Clearances to non-flammable walls

Put a non-flammable insulation plate between the appliance and the rear wall and side wall according [Figure 9](#).

[Table 5](#) shows the minimum thickness of the insulation plates and the minimum clearances to non-flammable materials and walls.



Attention: Make sure there is a 3 mm clearance between the appliance and the surrounding construction, to allow for expansion of the appliance during use.



- 1 Non-flammable spacer 3 Non-flammable wall
 2 Non-flammable insulation plate

Figure 9. Clearances to non-flammable wall - Top view

Table 5: Minimum dimensions between appliance and non-flammable walls

Item		Dimension
A	Air gap	20 mm
B	Thickness plate	25 mm
C	Air gap / Spacer	20 mm
D	A+B+C	65 mm
E	B+C	45 mm
F	Minimum 3 mm clearance between appliance and surrounding construction	

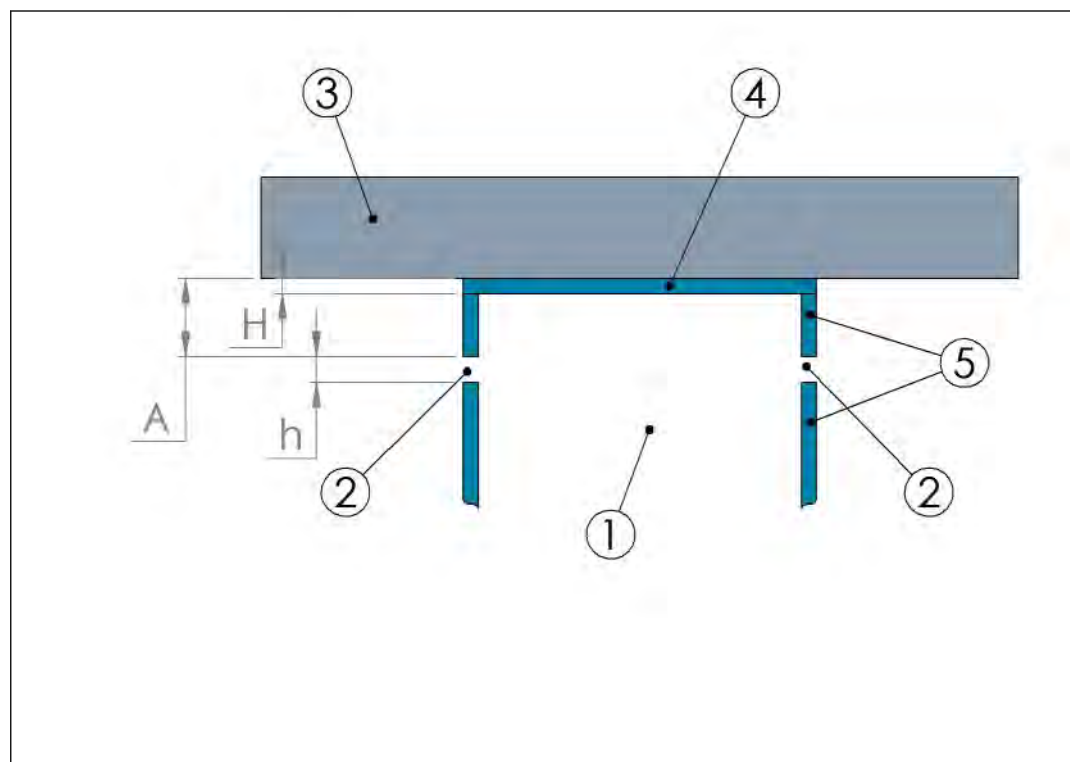
5.6 Clearances to a non-flammable ceiling

Put a non-flammable insulation plate (false ceiling) of minimum 5 cm thickness at a height of minimum 50 cm above the appliance.

Alternative without a false ceiling: Make an open space of minimum 50 cm height between the chimney enclosure top side (complete width and depth of the enclosure) and the non-flammable ceiling

Figure 10. and Table 6. show the minimum thickness of the insulation plates and the minimum clearances to a non-flammable ceiling

Make sure the total area of the convection air outlet opening is minimum 300 cm².



- | | | | |
|---|-------------------------------|---|----------------------------------|
| 1 | Chimney enclosure | 4 | Insulation plate (false ceiling) |
| 2 | Convection air outlet opening | 5 | Insulation plates |
| 3 | Non-Flammable ceiling | | |

Figure 10. Clearances to non-flammable ceiling - Front view

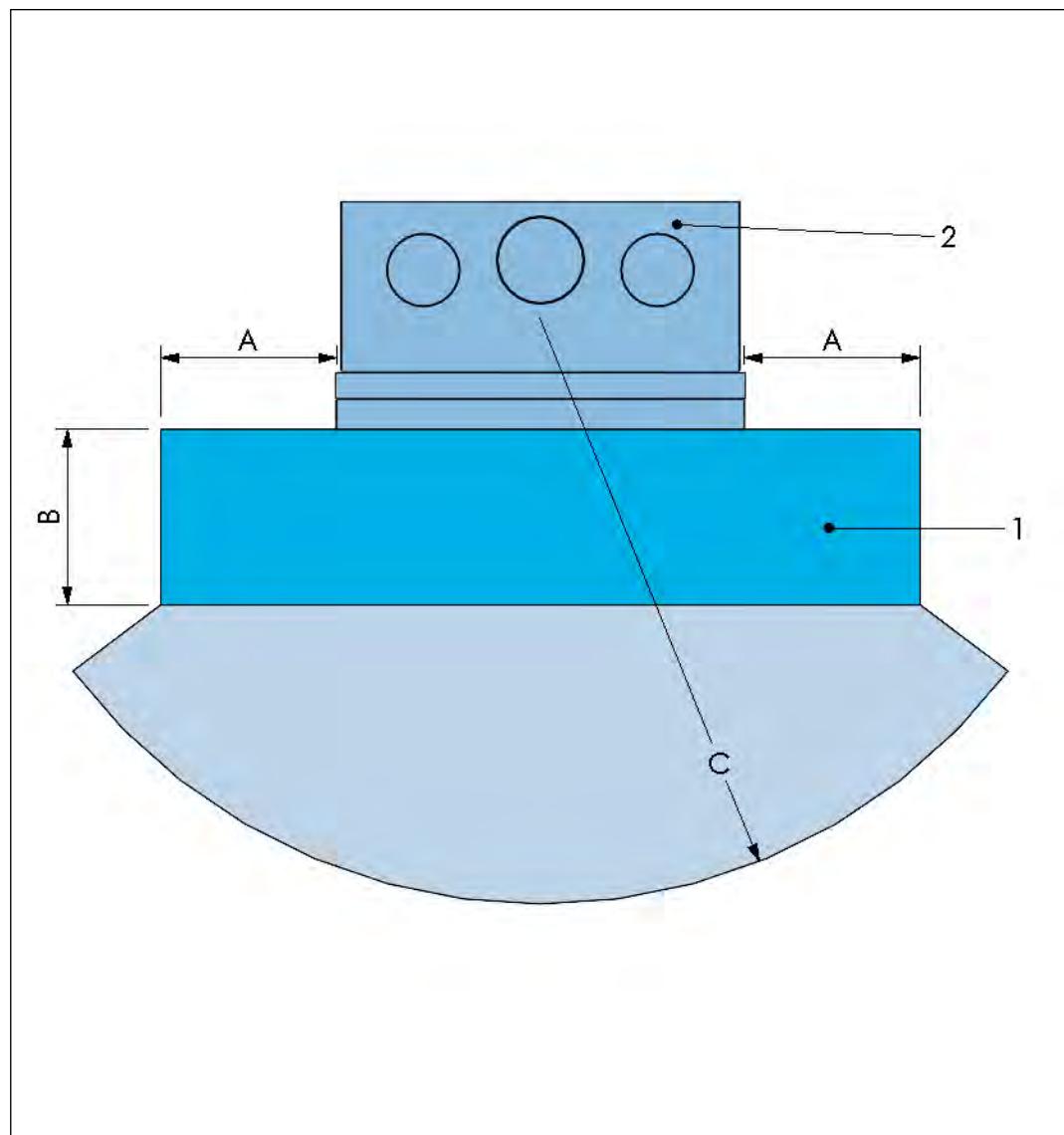
Table 6: Minimum dimension and clearance to non-flammable ceiling

		With false ceiling	Without false ceiling
h	Area of the convection air outlet opening	Minimum 300 cm ²	Minimum 20 cm open space between ceiling and chimney enclosure
H	Height of the false ceiling	Minimum 50 mm (= thickness false ceiling)	Not applicable (the top side of the chimney enclosure is open with a clearance of minimum 20 cm to the ceiling).
A	Distance between convection air outlet opening and ceiling	Minimum 50 cm	Minimum 50 cm open space between ceiling and chimney enclosure

5.7

Clearances in front of the appliance

Do not put flammable items within minimum 180 cm radius from the appliance.



1 Non-flammable floor plate

2 Appliance

Put a non-flammable floor plate with a minimum thickness of 12 mm in front of the appliance above a flammable floor. The depth of the floor plate is dependent on the vertical distance between the bottom of the appliance and the floor.

The non-flammable floor plate must have a width that extends minimum 150 mm from each side of the appliance.

A	Minimum 15 cm from the sides of the appliance
B	Minimum depth of the non-flammable floor plate (see graph for exact depth)
C	Minimum 180 cm clearance from the front of the appliance

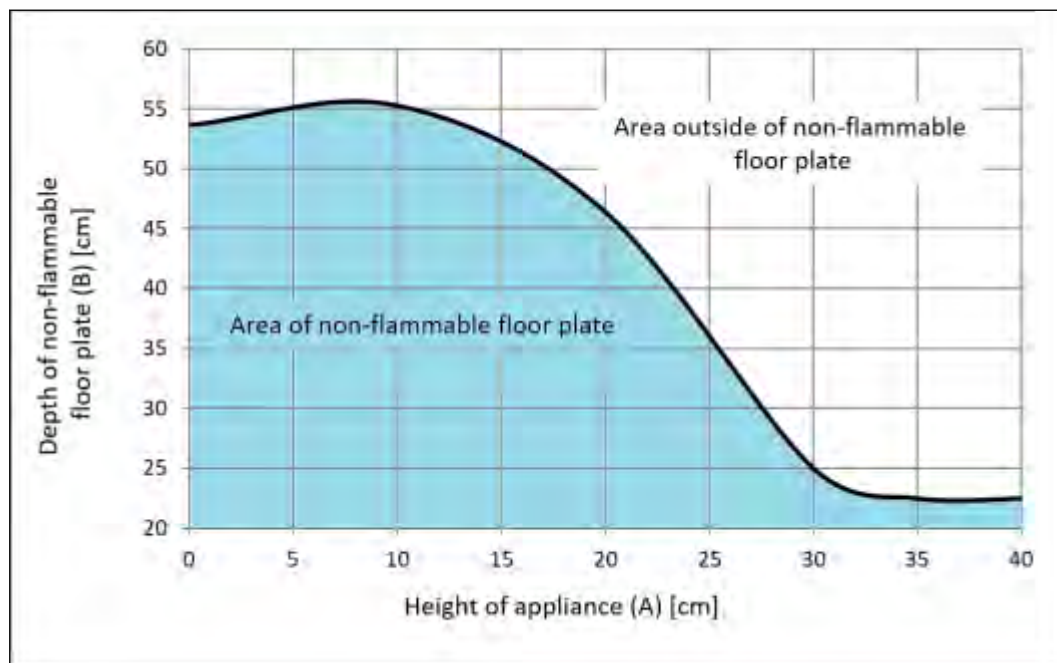


Figure 11. Height of appliance versus depth of the non-flammable floor plate

1. Measure the distance between the floor and the bottom of the visible part of the appliance. This is the distance when the appliance is built into a fireplace surround.
2. Read on the vertical axis of the graph the minimum depth of the non-flammable floor plate.

Example to find the correct minimum depth of a non-flammable floor plate

If the measured distance between the bottom of the visible part of the appliance is 20 cm, according to the graph the minimum depth of the floor plate is 47 cm.

6 Installation

6.1 Installation requirements

6.1.1 Requirements on the installation of the appliance in an existing fireplace

This chapter refers to the installation of the appliance in an existing open fireplace that before was used for room heating.

- Make sure that the location agrees with the safety requirements. Refer to chapter [4.1](#)
- Make sure the opening in the fireplace is large enough for a gap of 1 - 3 cm at between the appliance and the inner fireplace walls .
- Make sure the floor can support the weight of the appliance. Refer to chapter [9](#) for the weight of the appliance.
- Make sure that the floor temperatures in front of the appliance cannot be higher than 85 °C, during use of the appliance. Refer to chapter [5.7](#).
- The non-combustible floor in front of the appliance must have a width that extends at least 150 mm from each side of the appliance and a minimum depth in front of the appliance according the requirements in chapter [5.7](#).
- Make sure the room where the appliance is installed is properly ventilated.
- Make sure that combustion air can flow into the appliance without obstruction.
- If applicable, install a valve in the external combustion air pipe.

6.1.2 Requirements on the installation of the appliance in a new built fireplace



Important:

- Make sure the floor is made of concrete or a solid pedestal of nonflammable material.
- Make sure that the floor temperatures under and in front of the appliance are maximum 85 °C, during use of the appliance. Refer to chapter [5.3](#) and chapter [5.7](#).
- Make sure the distance between the underside of the appliance and the floor is minimum 1 cm.
- Make sure that the location agrees with the safety requirements. Refer to chapter [4.1](#).
- Make sure to obey the clearances as listed in chapter [5](#).
- Make sure the floor can support the weight of the appliance. Refer to chapter [9](#) for the weight of the appliance.
- Make sure the room where the appliance is installed is properly ventilated.
- Make sure that combustion air can flow into the appliance without obstruction.
- If applicable, install a valve in the external combustion air pipe.
- Make sure there is a 3 mm clearance on the sides and top of the appliance to allow for expansion of the appliance during use.
- Install ventilation openings near the bottom and near the top of the fireplace surround, to avoid heat accumulation in the fireplace surround.
- Make sure the total ventilation air inlet openings have a minimum area of 450 cm². (2 inlet openings of minimum 225 cm².)
- Make sure the total ventilation air outlet openings have a minimum area of 450 cm². (2 outlet openings of minimum 225 cm².)

6.1.3 Requirements on the chimney

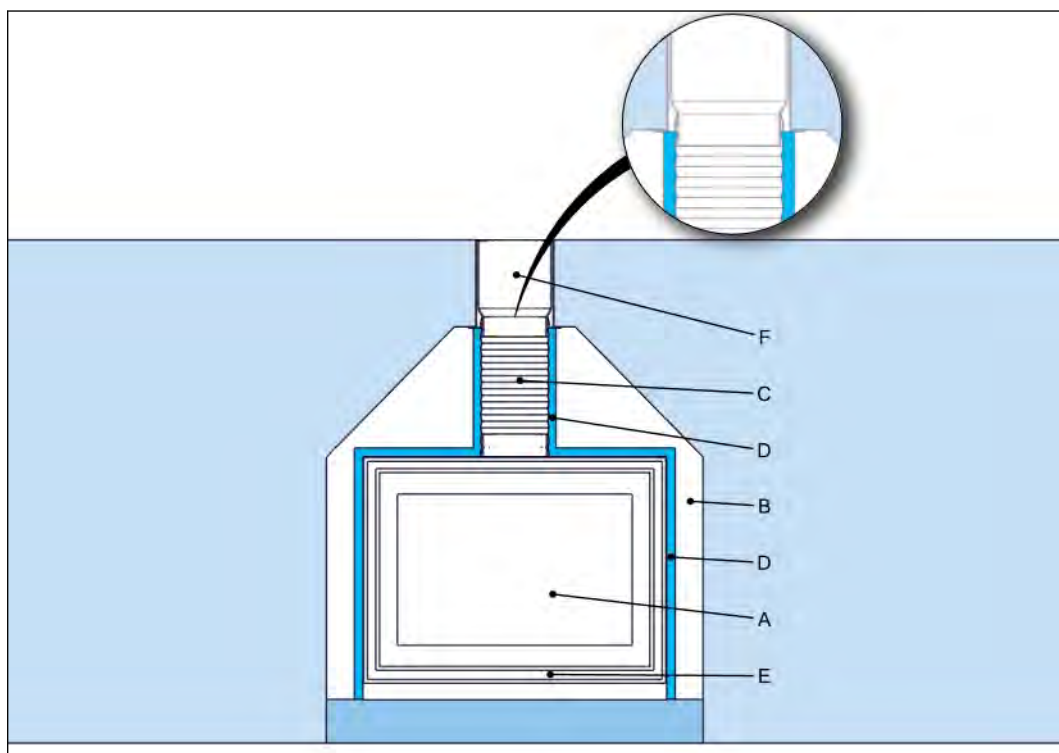
- Make sure the flue system obeys the national and local applicable regulations.
- If the appliance is installed on an existing (masonry) chimney, make sure the chimney is in good order and applicable for the appliance. Ask your dealer or chimney sweeper for advice.
- Make sure to use an appropriate chimney adapter, to connect the flue pipe to an existing chimney, that prevents air leakage from the fireplace surround to the existing chimney.
- Make sure the weight of the chimney is not supported by the appliance.
- Do not connect more than one appliance to the same chimney.
- The flue system must have a temperature class designation of at least T400.
- The inner diameter of the chimney must be at least 150 mm over the total length.
- Use a steel chimney pipe with a wall thickness of at least 2 mm between the appliance and the existing chimney.
- Do not use more than 2 bends of 45°.
- Do not use horizontal flue pipes.
- The chimney outlet must be at least 5 meter above the top of the appliance.
- The chimney outlet must be at least 40 cm above the top of a sloped roof.
- The chimney outlet must be at least 1 meter above a flat roof.
- The chimney outlet must be free from any objects (buildings, trees, etc.) within a horizontal range of at least 5 meter.
- If applicable, make sure an existing chimney valve has a free opening of minimum 12 % of the total area of the chimney, when closed.
- Make sure your fire insurance policy covers any damage caused by a chimney fire.

6.2 Installation in an existing open fireplace

6.2.1 Preparation

1. Remove the existing fire basket and any other parts in the open fireplace.
2. Make sure the floor of the open fireplace is flat and not damaged.
3. Make sure the inner walls of the open fireplace are not damaged.
4. Put a layer of ceramic wool against the inner walls of the fireplace opening. Refer to chapter [5.1](#) for specifications.
5. Put an appropriate chimney adapter on the existing chimney.

6. Connect a stainless steel flexible pipe of sufficient length to the chimney adapter and secure it with a hose clamp.



- | | | | |
|---|-------------------------|---|----------------------|
| A | Appliance | D | Ceramic insulation |
| B | Existing open fireplace | E | Combustion air inlet |
| C | Flue gas pipe | F | Chimney adapter |

Figure 12. Chimney adapter

7. Put a layer of ceramic wool around the flexible flue pipe.
8. Remove the interior of the appliance. Refer to chapter 8 for instructions.

9. Remove the flue pipe connector.
 - a) Remove the screws that hold the flue pipe connector.

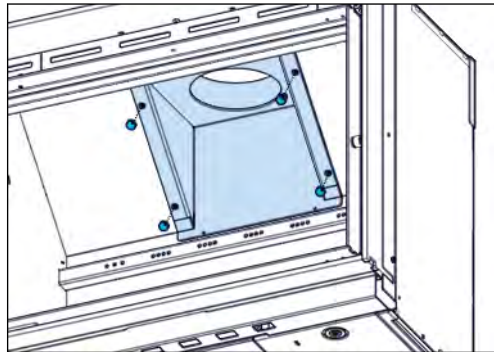
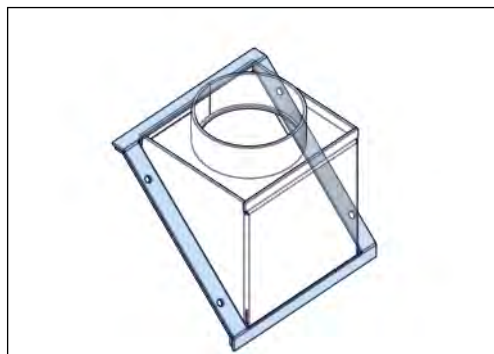


Figure 13. Flue pipe connector

- b) Carefully remove the flue pipe connector. Make sure the white gasket on the flue pipe connector does not damage.



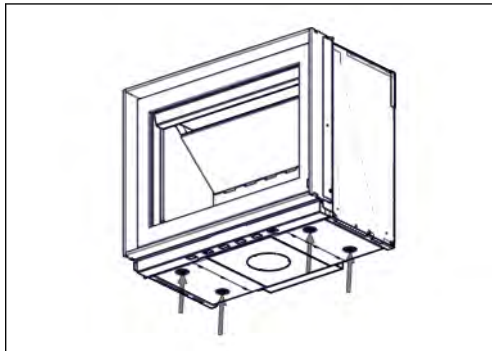
6.2.2

Install the appliance

1. Connect the stainless steel flexible flue pipe to the chimney adapter. Use a hose clamp to attach the flexible flue pipe to the chimney adapter.
2. Put the appliance in the correct position in the existing fireplace .
3. Make sure that the appliance is installed horizontally. Use a spirit level.
4. Pull the flexible flue pipe through the opening in the top of the appliance
5. Connect the flexible flue pipe on the flue pipe connector. Use a hose clamp. Make sure the white gasket is in the correct position on the flue pipe connector.
6. Push the flue pipe connector with the flue pipe into the correct position in the appliance.
7. Attach the flue pipe connector to the appliance with the 4 screws. Make sure the white gasket is in the correct position.
8. Put a layer of ceramic wool on the top of the appliance. Refer to chapter [5.1](#) for specifications of the ceramic wool.
9. Put all the interior parts in the correct position in the appliance. Refer to chapter [5.1](#) for instructions.

6.2.3 Horizontally align the appliance

1. Make sure that the appliance is installed horizontally. Use a spirit level.
2. Adjust the adjustable feet. Use a 13 mm fork spanner.



3. Make sure that the appliance is installed horizontally. Use a spirit level.

6.2.4 Final check on the appliance

1. Make sure the door closes and opens easy.
2. Make sure the control lever moves easy to left and right without undue noise.
3. Make sure all ceramic plates, the grate and the baffles are in the correct position.

Contact your dealer if the final check shows a defect.

6.3 Installation in a new fireplace

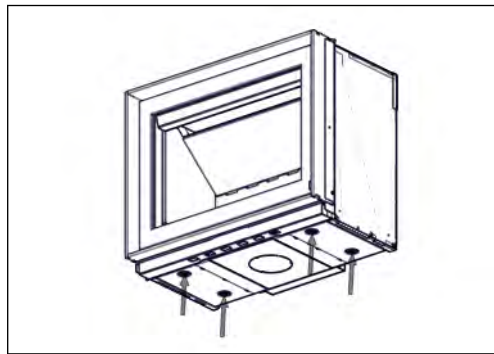
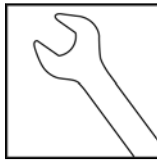
6.3.1 Install the appliance

1. Put the appliance on the intended and correct position.
2. If applicable, connect the external combustion air supply pipe to the appliance.

To connect the optional external combustion air supply to the rear of the appliance, refer to chapter [6.3.2](#).

To connect the optional external combustion air supply to the bottom of the appliance, refer to chapter [6.3.3](#).

3. Make sure that the appliance is installed horizontally. Use a spirit level.
4. If necessary, adjust the adjustable feet. Use a 13 mm fork spanner.



6.3.2

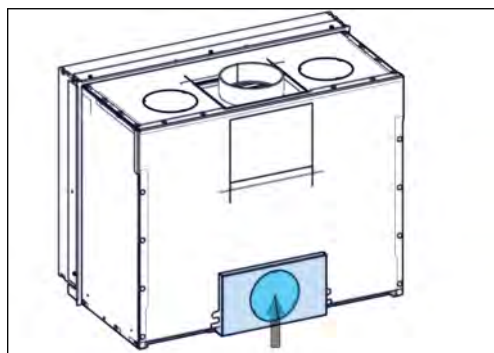
Connect the optional external air supply (rear connection)



Note:

- The appliance has the possibility to connect a supply pipe for external combustion air. During operation the appliance gets combustion air from this air duct. The appliance however, is not a room-sealed appliance according to the requirements for room-sealed appliances.
- The external air supply connection is only available when ordered with the appliance.
- It is strongly recommended to install a valve in the external combustion air supply pipe, to avoid debris in the pipe and to avoid water vapor condensation in the appliance when not in use.

1. Remove the round break out plate at the rear of the appliance with a hammer.



2. Put the collar adaptor in the open external air inlet opening.
3. Bend out the 3 lips on the collar adaptor to attach the collar adaptor on the inlet opening.
4. Identify the location in the outer wall for the external combustion air supply inlet.

5. Make a hole in the outer wall with at a minimum diameter of 150 mm.
6. Put a flexible aluminum pipe in the hole.
7. Install a grate in the hole in the outer wall and attach the flexible aluminum pipe to it.
8. Attach the other end of the flexible aluminum pipe on the collar adapter. Use a hose clamp.

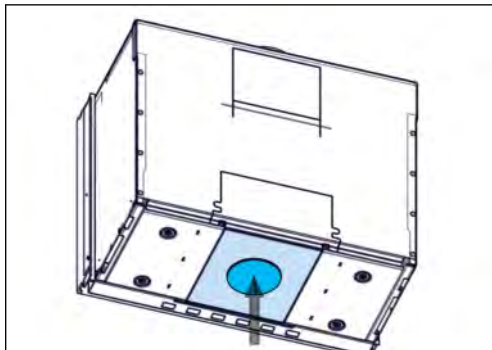
6.3.3 Connect the optional external air supply (bottom connection)



Note:

- The appliance has the possibility to connect a supply pipe for external combustion air. During operation the appliance gets combustion air from this air duct. The appliance however, is not a room-sealed appliance according to the requirements for room-sealed appliances.
- The external air supply connection is only available when ordered with the appliance.
- It is strongly recommended to install a valve in the external combustion air supply pipe, to avoid debris in the pipe and to avoid water vapor condensation in the appliance when not in use.

1. Remove the round break out plate at the bottom of the appliance with a hammer.



2. Put the collar adaptor in the open external air inlet opening.
3. Bend out the 3 lips on the collar adaptor to attach the collar adaptor on the inlet opening.
4. Identify the location in the floor for the external combustion air supply inlet.
5. Make a hole in the floor with at a minimum diameter of 150 mm.
6. Put a flexible aluminum pipe in the hole.
7. Attach the other end of the flexible aluminum pipe on the collar adapter. Use a hose clamp.

6.3.4 Connect the flue gas pipe

The appliance can be connected to steel pipes, double-walled insulated stainless steel flues and flexible stainless steel flues.

**Caution:**

- During operation of the appliance the outer side of the flue system becomes hot. Refer to the installation instructions of the flue system for safe installation. Follow these instructions with regard to safe distances to combustible material.

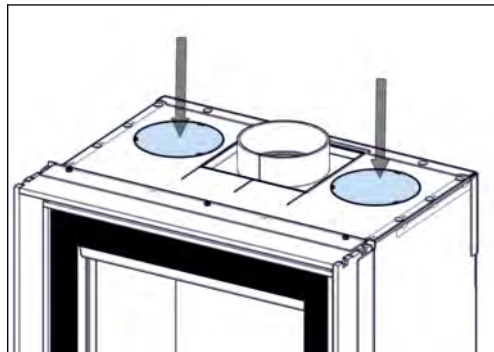
If the appliance is installed on an unlined, masonry flue with a large diameter, consider using a flue lining system to improve the performance of the appliance.

1. Connect the flue to the flue gas connection on the appliance. If necessary use a steel flue adaptor.
2. If a flexible stainless steel flue is used, secure the flue connection with 2 clamps.
3. If the flue is connected to an existing (masonry) chimney, make sure to use a chimney adaptor with the correct dimensions
4. Make sure that all mechanical connections of the flue system are correctly used.
5. Make sure that all of the flue system is gas-tight,
6. Insulate any non-insulated pipes with ceramic insulation wool. Refer to [5.1](#) for the material requirements.

6.3.5**Connect the convection set (optional)**

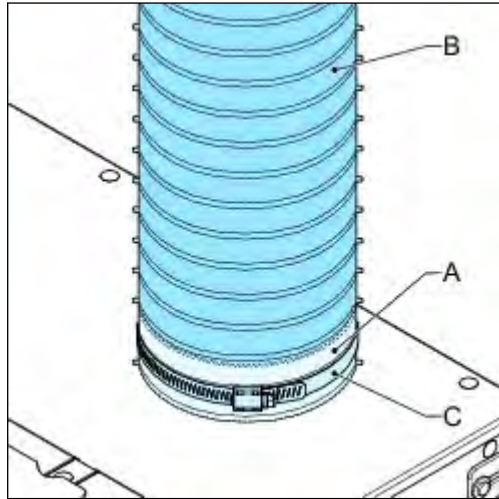
Note: If the Unilux-7 65 has a 45 degree flue connector, the optional convection set is not available for this appliance.

1. Remove the break out plates in the convection air outlet openings with a hammer.



2. Put the collar adaptors in the open convection air outlet openings.
3. Bend out the 3 lips on each collar adaptor, to attach the collar adaptor on the outlet opening.

4. Connect the flexible aluminum pipes (B) on the collar adaptors (A) . Use the hose clamps (C).
5. Connect the flexible aluminum pipes to fitting boxes in the fireplace enclosure.



6.3.6 Insulate the appliance



Caution:

- Use white unbound ceramic insulation wool. Do not use glass wool or rock wool, these materials can cause a bad smell, unwanted smoke and is not applicable for high temperatures. Refer to chapter [5.1](#) for the specifications.
- Put a ceramic wool blanket with a thickness of at least 5 cm on the top of the appliance and the sides and back of the appliance.
- Keep approximately 10 cm free of insulation material between the front of the appliance and the front of the fireplace. This space is needed for the build of the fireplace.

6.3.7 Build the fireplace



Important:

- Refer to chapter [5](#) for clearances to flammable and non-flammable materials.
- Refer to chapter [5.1](#) for applicable insulating plates.
- Make sure that brickwork is build with a clearing of at least 3 mm between the sides and top of the appliance and the brickwork. The appliance can expand during operation due to heating.



Note:

- Make sure the thickness of any plastering is taken into account when making the brickwork.
- Do not use masking tape on the appliance. Masking tape damages the paint on the appliance.
- If you use other material than bricks, install the material in accordance with the instructions of the supplier of the material
- If you use other material than bricks, refer to the instructions of the supplier of the used material for information on the need to use a mantle iron.

1. Identify the positions where the fitting boxes of the ventilation air inlet and the ventilation air outlet must be put. Refer to chapter 6.1.2 for requirements on the size of the ventilation air openings.
2. If applicable, identify the positions where the fitting boxes of the convection air outlets must be put. Refer to chapter 6.1.2 for requirements on minimum distances from ceiling and neighboring wall.
3. Build the brickwork around the appliance up to the upper frame around the glass.
4. Install the fitting boxes of the ventilation air inlets.
5. If applicable, install a mantle iron to support the brickwork above the appliance. Put the mantle iron on both sides of the brickwork. Maintain a space of at least 3 mm between the appliance and the mantle iron.
6. Build the fireplace around the appliance.
 - a) Install the fitting boxes of the ventilation air outlets.
 - b) If applicable, install the fitting boxes of the convection air outlets
7. If applicable, install the decorative frame on the appliance.

6.3.8

Final check on the appliance



Caution:

Wait 4 weeks after the installation before you use the appliance. The cement used for the fireplace needs to harden and to avoid damage to the plaster work.

1. Make sure the door closes and opens easy.
2. Make sure the control lever moves easy to left and right without undue noise.
3. Make sure all ceramic plates and the baffles are in the correct position.

Contact your dealer if the final check shows a defect.

7 Maintenance

**Warning:**

Make sure that the appliance has cooled down completely before doing the procedures in this section.

Do all procedures in this section when necessary.

7.1 Appliance

1. Remove ashes from the floor of the combustion chamber.
2. Examine the door seals. Replace damaged seals.
3. Remove the grate and empty the ash tray.
4. Examine the baffle for damage. Replace when damaged.
5. Clean both sides of the glass with glass spray or ceramic hob cleaner.
6. Clean the inside of the appliance with a soft brush.
7. Clean the metal parts on the outside of the appliance with a dry lint free cloth. Use Barbas heat resistant paint spray to repair lacquer damage.

7.2 Combustion air supply

1. Make sure that the inlet of the pipe of the external combustion air supply is not blocked by leaves or other debris.
2. Clean the inlet of the pipe of the external combustion air supply.

7.3 Chimney

**Note:**

It is recommended to contact a registered chimney sweep company to inspect and clean the chimney.

1. Sweep and inspect the chimney
2. Make sure there is no blockage in the chimney, for example by birds' nests.
3. Make sure the chimney is in good condition. Examine for cracks, loose parts and flue gas leakage. It is recommended to use an inspection camera.

Make sure to remove the baffles before the chimney sweep starts. Refer to chapter 8 for the procedure to remove the baffles.

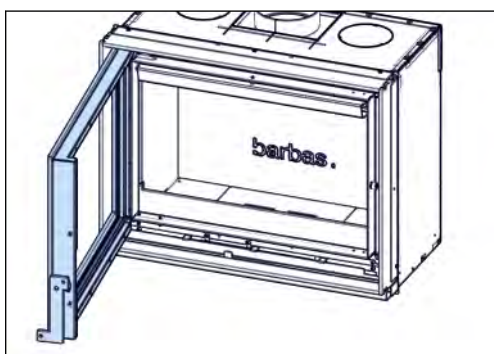
Make sure to replace the baffles after the finish of the chimney sweep work and before firing the appliance.

8 Removal of the interior of the combustion chamber

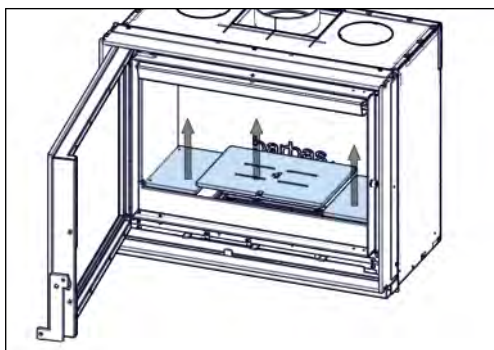
**Note:**

For chimney sweep work, only remove the upper baffle (refer to step 4 of this instruction) and lower baffle (refer to step 5 of this instruction).

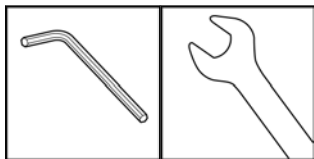
1. **Remove the door**
 - a) Open the door completely.



2. **Remove the bottom**
 - a) Lift the grate and remove from the combustion chamber.
 - b) Lift the left and right steel bottom plate and remove from the combustion chamber.



3. Remove the upper baffle



- a) Loosen the nut above the heat shield with a 3 mm hexagonal key and a 10 mm fork spanner. Make sure the nut stays attached to the socket screw.



- b) Push up the front of the heat shield (1) and pull it forward (2) and move downward to a vertical position (3).

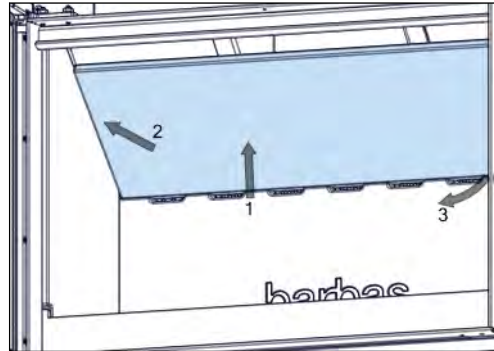


- c) Remove the upper baffle from the appliance.



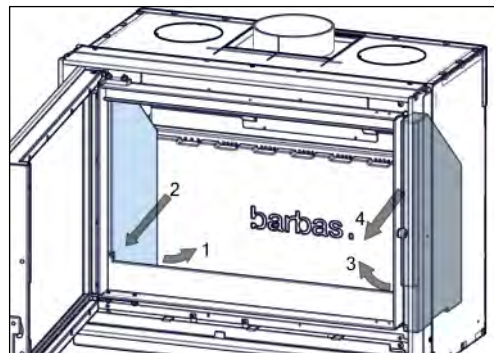
4. **Remove the lower baffle.**

- a) Push up the back side of the lower baffle and move it as far back as possible.
- b) Lower the front side of the lower baffle and remove it from the appliance.



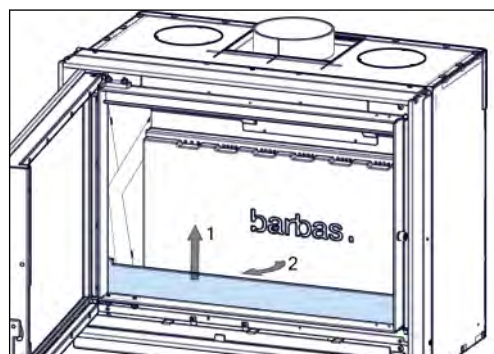
5. **Remove the ceramic side panels**

- a) Move the left side panel a little upward and inwards (1) and remove it from the appliance (2).
- b) Move the right side panel a little upward and inwards (3) and remove it from the appliance (4).



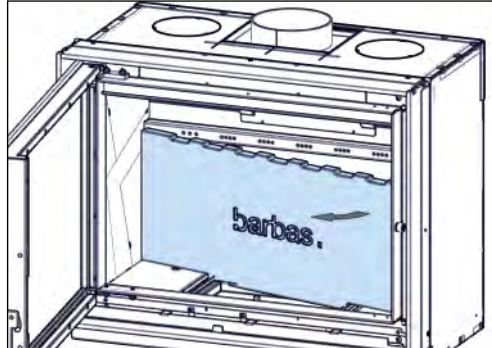
6. **Remove the log guards**

- a) Lift the front log guard and remove from the combustion chamber.



7. **Remove the ceramic back panel.**

- a) Move the bottom of the ceramic back panel forward and remove it from the appliance.



Note:

To put the parts of the combustion chamber interior back, do the above instructions in opposite order.

9 Technical data

9.1 Technical data

Name	Barbas
Model	Unilux-7 65
Tested in accordance with	EN 13229:2001-A2:2004 EN16510-1 annex D, E, F
Energy efficiency index	99
Energy efficiency class	A
Fuel	Wood logs, Wood briquettes
Nominal fuel load	1.9 kg
Nominal heat output (net)	8.7 kW
Minimum heat output (net)	7 kW
Useful efficiency at nominal heat output	75 %
Useful efficiency at minimum heat output (indicative)	80 %
Indirect heating function	No
Room sealed	No
Emissions (at 13 % O₂, 273 K, 1013 hPa)	
• carbon monoxide (CO)	0.08 vol% (994 mg/Nm ³)
• particles (PM)	40 mg/Nm ³
• organic gaseous compounds (OGC)	97 mg/Nm ³
• nitrogen oxides (NO _x)	120 mg/Nm ³
Flue gas mass flow	8.6 g/s
Flue gas temperature	323 °C
Chimney draught	12 Pa (0,12 mbar)
Flue gas connection	Inner diameter 157 mm, suitable for a pipe with an outer diameter of 150 mm
External combustion air connection	150 mm
Weight	100 kg
Minimum distance to flammable materials	
• side wall • back wall • floor • ceiling	Refer to chapter 5
Used materials	
• Combustion chamber back and side panels	Heat resistant ceramic 1600 kg/m ³
• Combustion floor and grate	Steel
• Lower baffle	Heat resistant ceramic 2000 kg/m ³
• Upper baffle	Steel

<ul style="list-style-type: none"> • Front glass 	<ul style="list-style-type: none"> • Heat resistant ceramic glass
<p>The specific precautions that shall be taken when the local space heater is assembled, installed or maintained, are listed in the attached documents:</p>	<ul style="list-style-type: none"> • Installation and maintenance manual • User manual

10 Dimensions

10.1 Frameless appliance

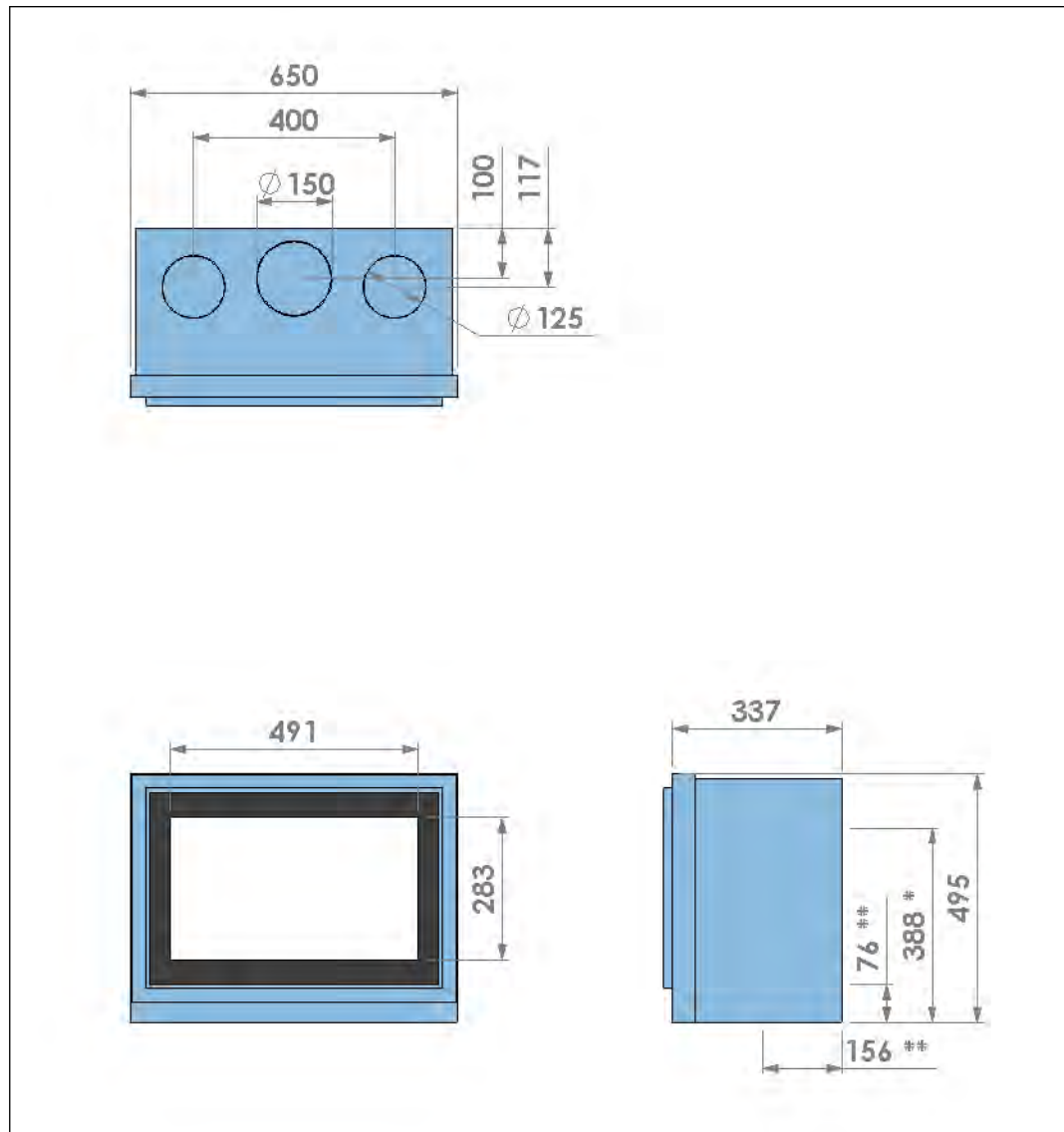


Figure 14. Dimensions of frameless appliance with screened glass door

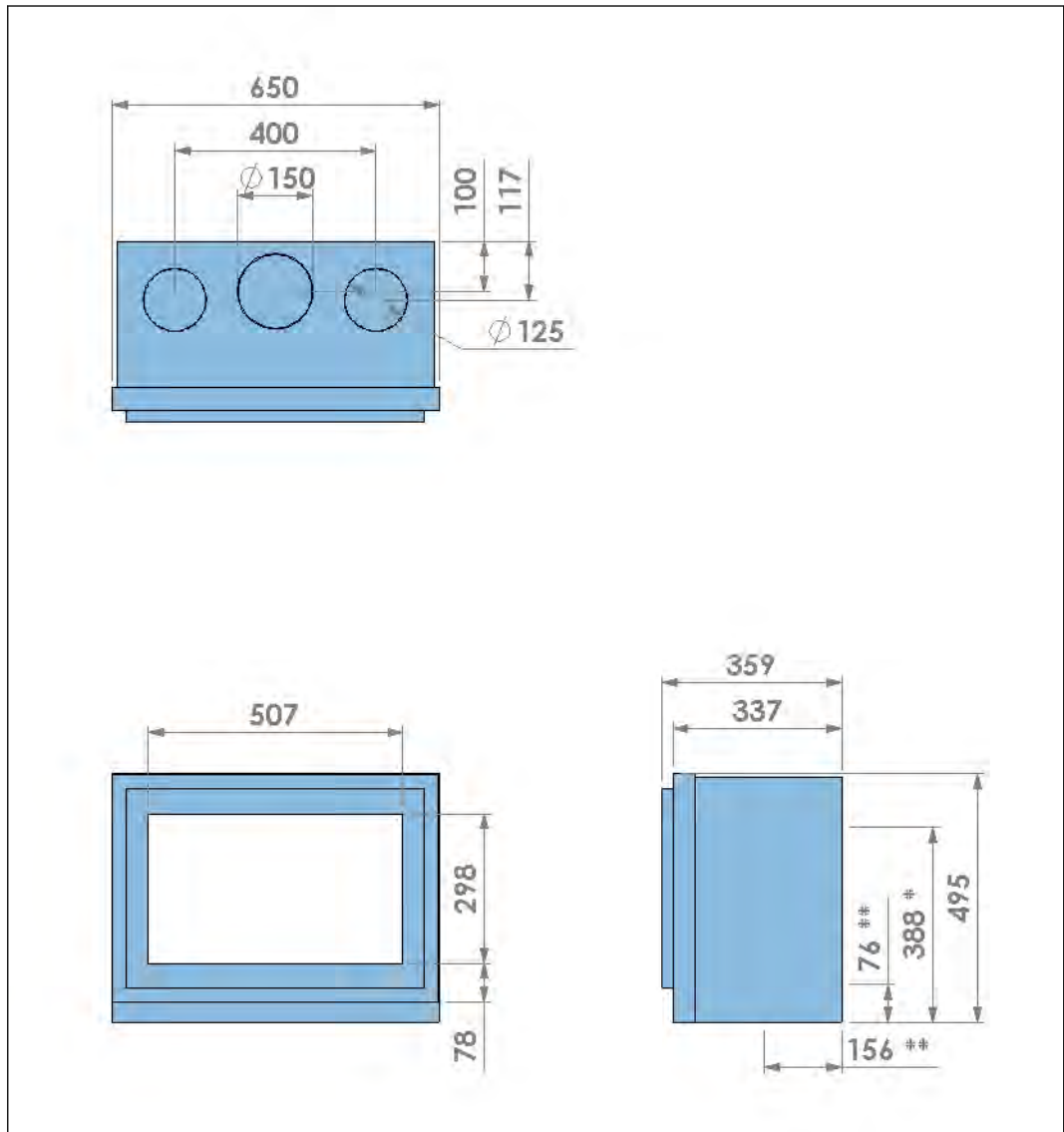


Figure 15. Dimensions of frameless appliance with steel frame door

10.2 Appliance with built-in frame

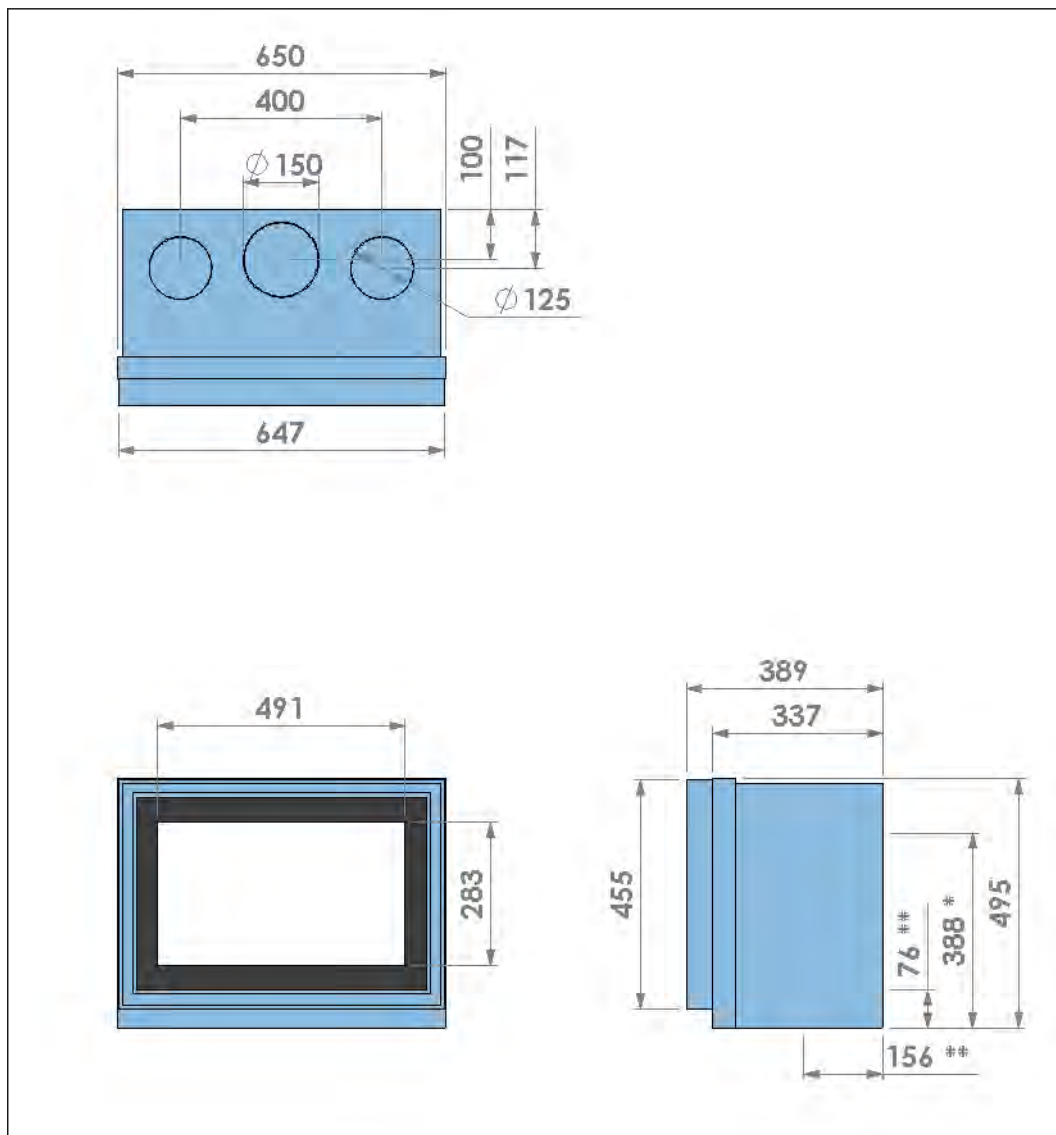


Figure 16. Dimensions of appliance with built-in frame and screened glass door

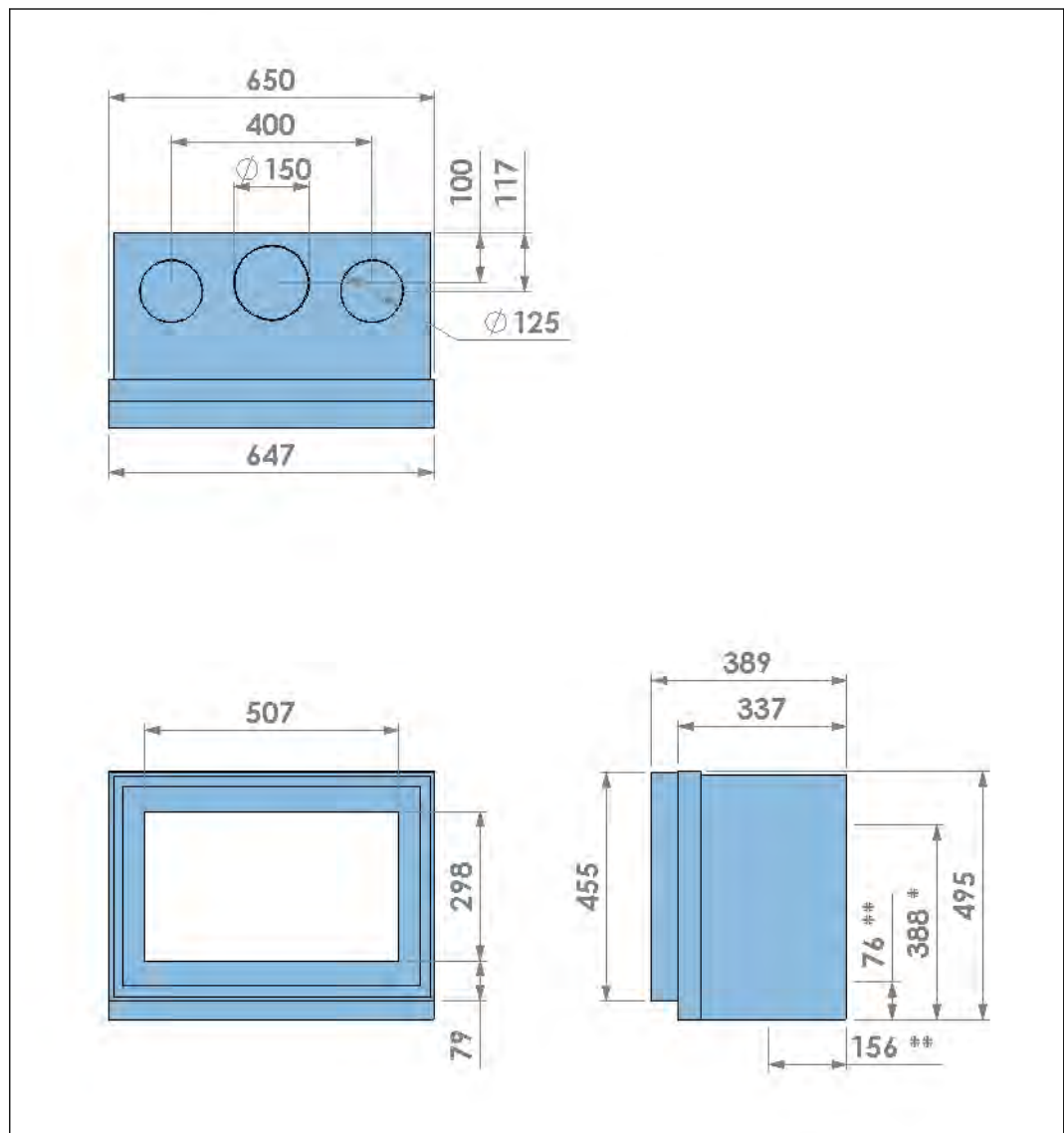


Figure 17. Dimensions of appliance with built-in frame and metal frame door

10.3 Appliance with classic frame

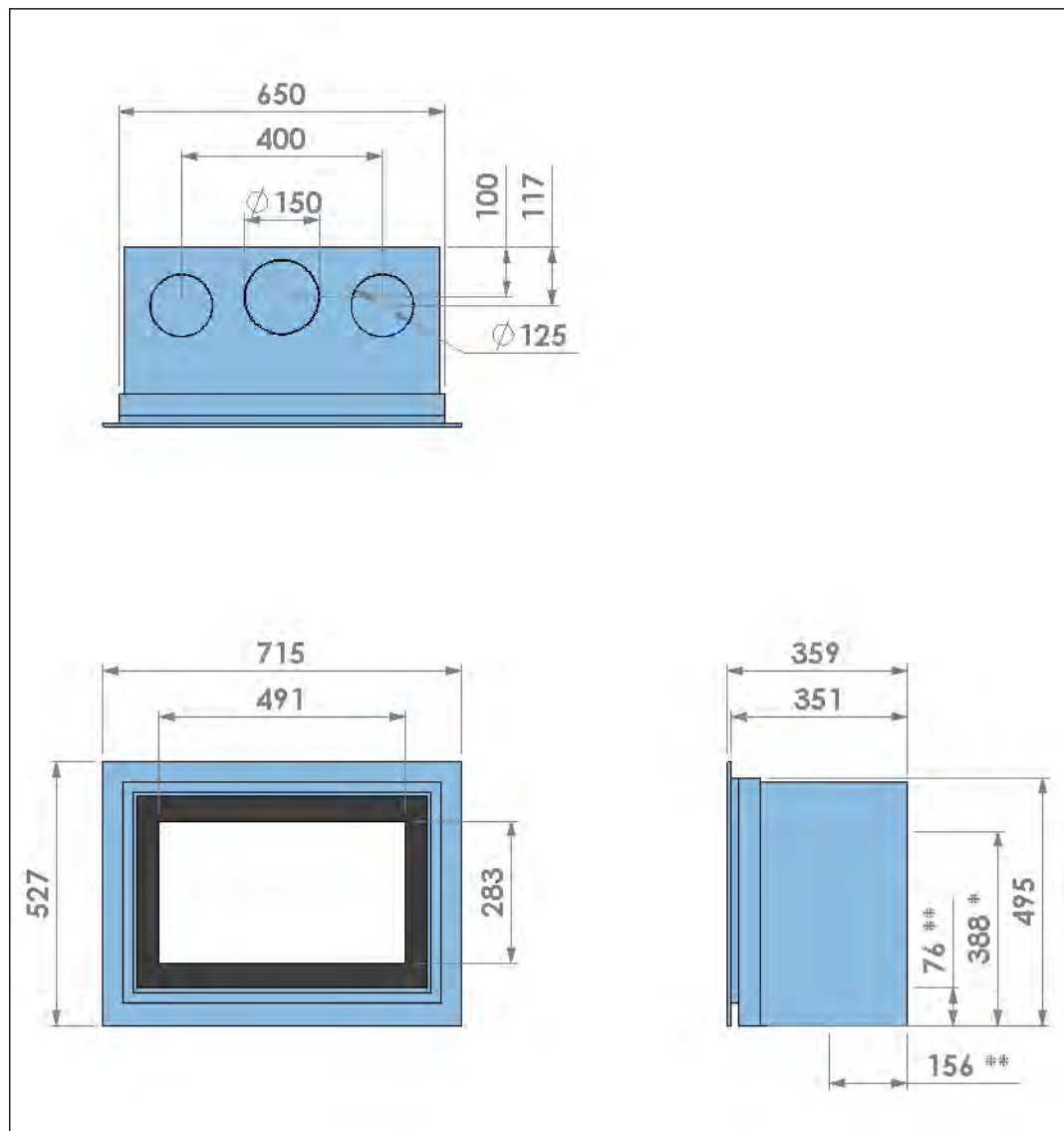


Figure 18. Dimensions of appliance with classic frame and screened glass door

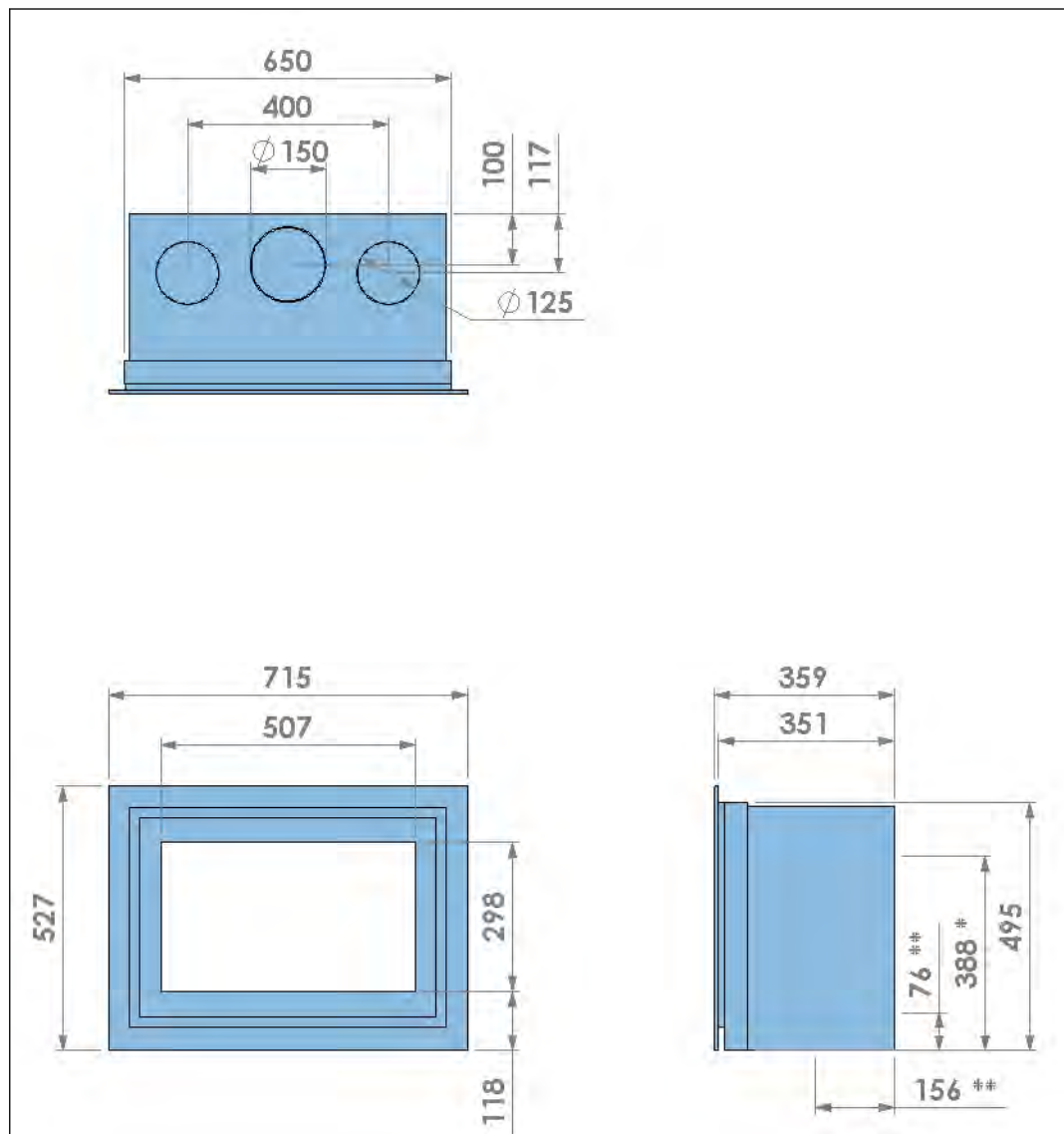


Figure 19. Dimensions of appliance with classic frame and metal frame door

10.4 Appliance with classic frame and 45° flue connector

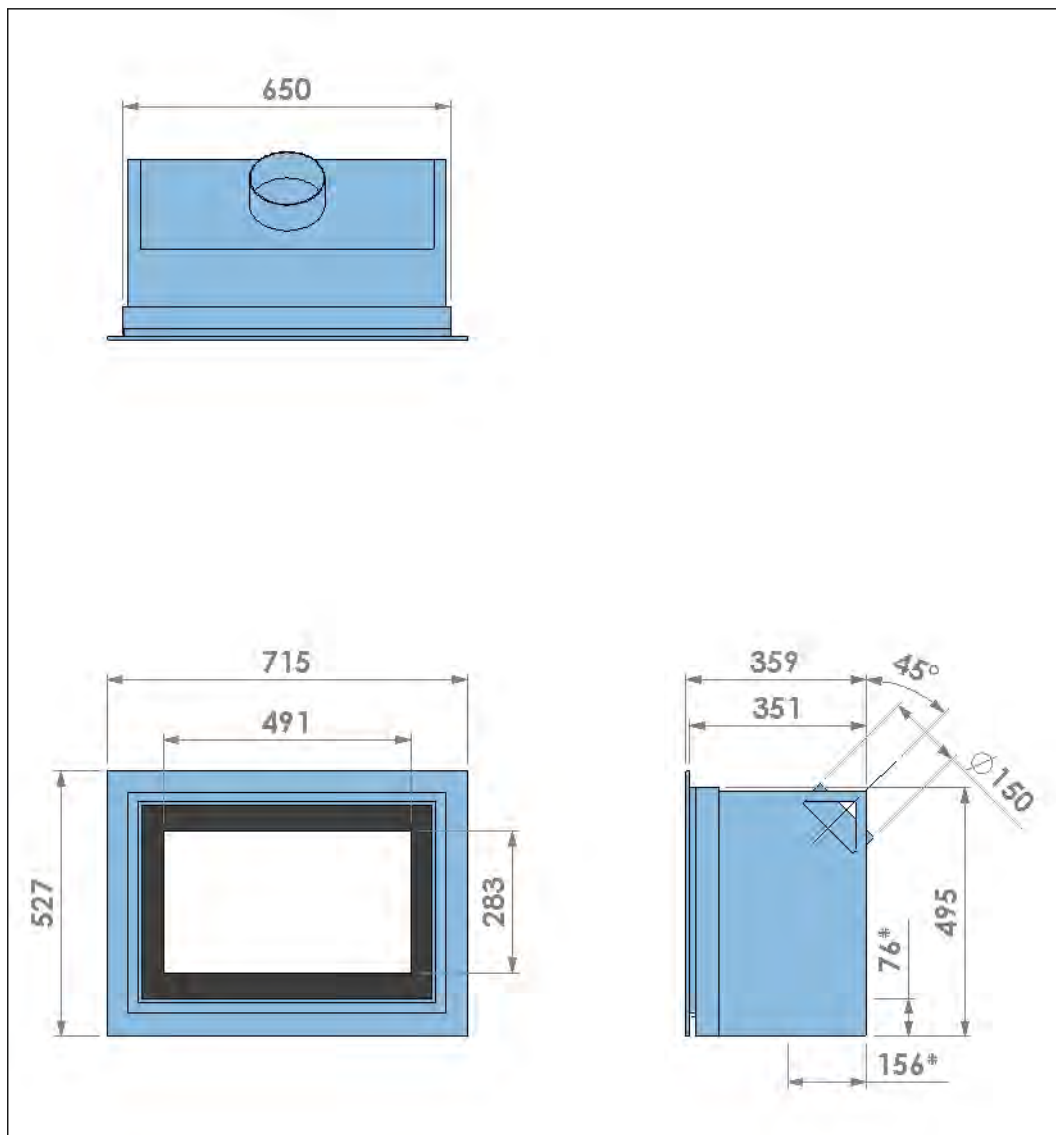


Figure 20. Dimensions of appliance with classic frame, 45° flue connector and screened glass door

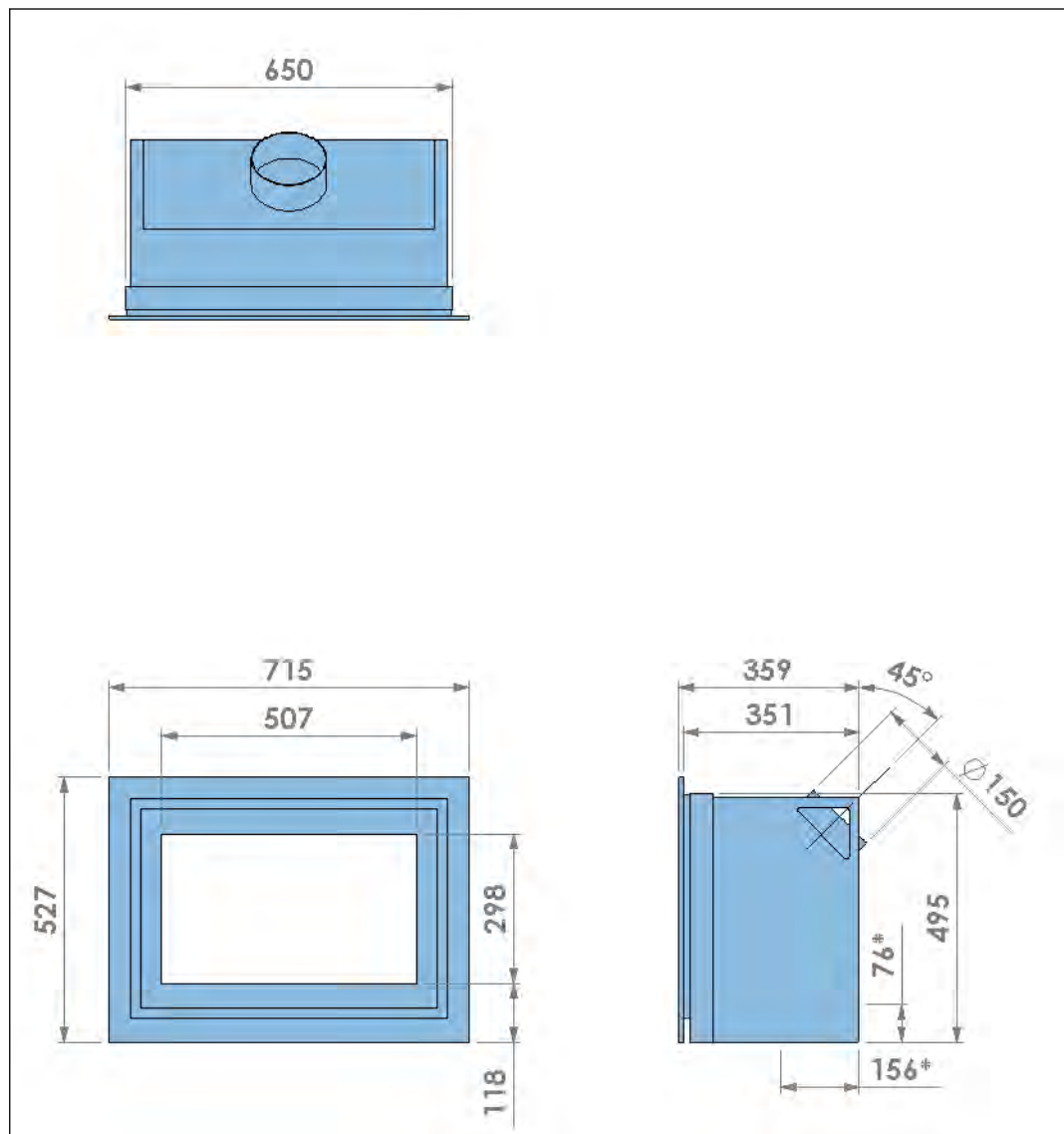


Figure 21. Dimensions of appliance with classic frame, 45° flue connector and metal frame door

11 Warranty Terms

Barbas Bellfires Warranty Terms

Barbas Bellfires B.V. guarantees the quality of the supplied Barbas appliance and the quality of the materials used. All Barbas appliances are developed and manufactured according to the highest possible quality standards. If, despite all this, something should prove amiss with the Barbas appliance you have purchased, Barbas Bellfires B.V. offers the following manufacturer's warranty.

Article 1: Warranty

1. If Barbas Bellfires B.V. determines that the Barbas appliance you have purchased is defective as a result of a flaw in the construction or material, Barbas Bellfires B.V. guarantees to repair or replace the appliance free of charge, without charging any costs for labor or spare parts.
2. Repair or replacement of the Barbas appliance will be undertaken by Barbas Bellfires B.V. or by a Barbas dealer as designated by Barbas Bellfires B.V.
3. This warranty is supplementary to the existing legal national warranty of Barbas dealers and Barbas Bellfires B.V. in the country of purchase and is not intended to restrict your rights and claims based on the applicable legal provisions.

Article 2: Warranty conditions

1. Should you wish to claim under the warranty, please contact your Barbas dealer.
2. Complaints should be reported as quickly as possible after they have manifested themselves.
3. Complaints will only be accepted if they are reported to the Barbas dealer, together with the serial number of the Barbas appliance which is stated on the front of the manual.
4. In addition, the original receipt (invoice, receipt, cash receipt) showing the date of purchase must also be submitted.
5. Repairs and replacements during the warranty period do not give any entitlement to an extension of the warranty period. After a repair or replacement of warranty parts, the warranty period shall be deemed to have started on the date of purchasing the Barbas appliance.
6. If a certain part is eligible for the warranty and the original part is no longer available, Barbas Bellfires B.V. shall ensure that an alternative part of at least the same quality shall be provided.

Article 3: Warranty exclusions

1. The warranty on the Barbas appliance ceases to be in effect if:
 - a. it is not installed according to the supplied installation instructions, and to national and/or local regulations;
 - b. it has been installed, connected or repaired by a non-Barbas dealer;
 - c. it has not be used or maintained according to the instructions for use;
 - d. it has been changed, neglected or roughly treated;
 - e. it has been damaged as a result of external causes (outside the appliance itself), for example, lightning strike, water damage or fire;
2. In addition, the warranty lapses if the original purchase receipt shows any change, deletion, removal or if it is illegible.

Article 4: Warranty area

1. The warranty is only valid in those countries where Barbas appliances are sold through an official dealer network.

Article 5: Warranty period

1. This warranty will only be granted during the warranty period.
2. The body of the Barbas appliance is guaranteed for a period of 10 years against construction and/or material faults, starting from the moment of purchase.
3. For other parts of the Barbas appliance, a similar warranty applies from the moment of purchase for a period of two years.
4. For user parts such as glass, glass (cord) and the interior of the combustion chamber, a similar guarantee is given until after the first burning.

Article 6: Liability

1. A claim granted by Barbas Bellfires B.V. under this warranty does not automatically imply that Barbas Bellfires B.V. also accepts liability for any possible damage. The liability of Barbas Bellfires B.V. never extends further than that stated in these warranty conditions. Any liability of Barbas Bellfires B.V. for consequential damage is expressly excluded.
2. That stated in this provision is not valid if and to the extent that it derives from a mandatory provision.
3. All agreements entered into by Barbas Bellfires B.V. are, unless specifically stated otherwise in writing and to the extent that they are permitted based on applicable law, subject to the FME-CWM general sales and delivery conditions for the technology industry.

Barbas Bellfires B.V.
Hallenstraat 17 5531 AB Bladel
The Netherlands
Tel: +31-497339200
Email: info@Barbas.com

Carefully retain the user manual; it shows the serial number of the appliance. You will need this if you wish to claim under the warranty.

barbas .

Your Barbas dealer