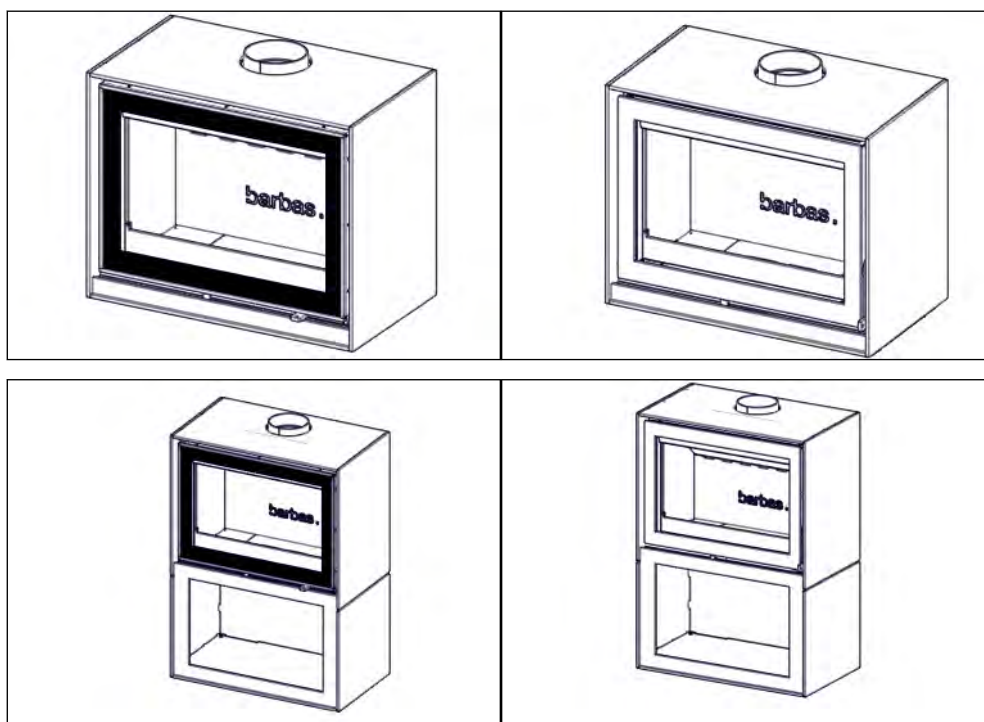


barbas .

Installation and maintenance manual

BOX 20 70



Serial number:

Production date:

© Barbas Bellfires BV

This document or parts thereof may not be reproduced, stored in a retrieval system, or transmitted, in any form or by any means, electronic, mechanical, photocopying, recording, nor otherwise, without the prior written permission of Barbas Bellfires BV. This document could contain technical inaccuracies or typographical errors. Barbas Bellfires BV reserves the right to revise this document from time to time in the contents thereof.

Contact information

Barbas Bellfires BV

Hallenstraat 17, 5531 AB Bladel, The Netherlands

Phone: +31 49 733 9200

E-mail: info@barbas.com

Contents

1	Declaration of Performance.....	5
1.1	BOX 20 70.....	5
1.2	BOX 20 70 with wood log storage module.....	6
2	About this document.....	7
2.1	How to work with this document.....	7
2.2	Warnings and cautions used in this document.....	7
2.3	Related documentation.....	7
3	Description.....	8
3.1	Overview of the BOX 20 70.....	8
3.2	Overview of the BOX 20 70 with wood log storage module.....	11
3.3	Intended use.....	13
4	Safety.....	14
4.1	Safety instructions for installation.....	14
4.2	Safety distances to flammable and non-flammable materials.....	14
4.2.1	Safety distances BOX 20 70.....	15
4.2.2	Safety distances BOX 20 70 with wood log storage module.....	16
4.3	Safety instructions with regard to the environment.....	16
5	Installation.....	17
5.1	Installation requirements.....	17
5.1.1	Requirements on the installation of the appliance.....	17
5.1.2	Requirements on the chimney.....	17
5.2	Installation procedure.....	17
5.2.1	Install the appliance BOX 20 70	18
5.2.2	Install the appliance BOX 20 70 with wood log storage module.....	19
5.3	Connect the optional external air supply (rear connection).....	20
5.4	Connect the optional external air supply (bottom connection).....	21
5.5	Connect the flue gas pipe.....	22
5.6	Final check on the appliance.....	22
6	Maintenance.....	23
6.1	Appliance.....	23
6.2	Combustion air supply.....	23
6.3	Chimney.....	23
7	Removal of the interior of the combustion chamber.....	24
8	Technical data.....	27
8.1	Technical data.....	27

9 Dimensions 29

- 9.1 Dimensions BOX 20 70 with screened glass door.....29
- 9.2 Dimensions BOX 20 70 with wood log storage module and screened glass door..... 30
- 9.3 Dimensions BOX 20 70 with steel frame door..... 31
- 9.4 Dimensions BOX 20 70 with wood log storage module and steel frame door..... 32

10 Warranty Terms..... 33

1 Declaration of Performance

1.1 BOX 20 70



Declaration of Performance
According to regulation (EU) 305/2011
No. 1.816.081-3 - CPR-2013/07/01

1. Unique identification code of the product-type	BOX 20 70
2. Intended use or uses of the construction product, in accordance with the applicable harmonised technical specification, as foreseen by the manufacturer	Room heater without hot water supply
3. Name, registered trade name or registered trade mark and contact address of the manufacturer as required pursuant to Article 11(5)	Barbas Bellfires BV; Hallenstraat 17; 5531 AB Bladel; The Netherlands
4. Where applicable, name and contact address of the authorised representative whose mandate covers the tasks specified in Article 12(2)	Not applicable
5. System or systems of assessment and verification of constancy of performance of the construction product as set out in Annex V	System 3
6. In case of the declaration of performance concerning a construction product covered by a harmonised standard	The notified laboratory SGS Nederland BV, No. 0608 performed the determination of the product type on the basis of type testing under system 3 and issued test report EZKA/2016-07/00008-1 & EZKA-2020-11-030-1
7. Declared performance	
Harmonized technical specification	EN13240:2001/A2:2004/AC:2007
Essential characteristics	Performance
Fire safety	Pass
Distance to combustible materials	Minimum distances, in mm Rear = 300 Sides = 300 Ceiling = - Front = 1800 Floor = 30
Risk of burning fuel falling out	Pass
Emission of combustion products	CO = 0,07 vol%
Surface temperature	Pass
Electrical safety	Pass
Cleanability	Pass
Release of dangerous substances	NPD
Maximum operating pressure	Not applicable
Flue gas temperature at nominal heat output	T = 319 °C
Mechanical resistance (to carry a chimney/flue)	NPD
Thermal output	Pass
Nominal heat output	10 kW
Room heating output	10 kW
Water heating output	- kW
Energy efficiency	75,6 %
8. The performance of the product identified in point 1 is in conformity with the declared performance in point 7. This declaration of performance is issued under the sole responsibility of the manufacturer identified in point 3.	

Signed for and on behalf of the manufacturer by:

Danny Baijens, CEO
(Name and function)

Bladel; February 1, 2021
(place and date of issue)

.....
(Signature)

1.2 BOX 20 70 with wood log storage module



Declaration of Performance
According to regulation (EU) 305/2011
No. 1.816.082-3 - CPR-2013/07/01

1. Unique identification code of the product-type	BOX 20 70 with wood log storage module
2. Intended use or uses of the construction product, in accordance with the applicable harmonised technical specification, as foreseen by the manufacturer	Room heater without hot water supply
3. Name, registered trade name or registered trade mark and contact address of the manufacturer as required pursuant to Article 11(5)	Barbas Bellfires BV; Hallenstraat 17; 5531 AB Bladel; The Netherlands
4. Where applicable, name and contact address of the authorised representative whose mandate covers the tasks specified in Article 12(2)	Not applicable
5. System or systems of assessment and verification of constancy of performance of the construction product as set out in Annex V	System 3
6. In case of the declaration of performance concerning a construction product covered by a harmonised standard	The notified laboratory SGS Nederland BV, No. 0608 performed the determination of the product type on the basis of type testing under system 3 and issued test report EZKA/2016-07/00008-1 & EZKA-2020-11-030-1
7. Declared performance	
Harmonized technical specification	EN13240:2001/A2:2004/AC:2007
Essential characteristics	Performance
Fire safety	Pass
Distance to combustible materials	Minimum distances, in mm Rear = 300 Sides = 300 Ceiling = - Front = 1800 Floor = -
Risk of burning fuel falling out	Pass
Emission of combustion products	CO = 0,07 vol%
Surface temperature	Pass
Electrical safety	Pass
Cleanability	Pass
Release of dangerous substances	NPD
Maximum operating pressure	Not applicable
Flue gas temperature at nominal heat output	T = 319 °C
Mechanical resistance (to carry a chimney/flue)	NPD
Thermal output	Pass
Nominal heat output	10 kW
Room heating output	10 kW
Water heating output	- kW
Energy efficiency	75,6 %
8. The performance of the product identified in point 1 is in conformity with the declared performance in point 7. This declaration of performance is issued under the sole responsibility of the manufacturer identified in point 3.	

Signed for and on behalf of the manufacturer by:

Danny Baijens, CEO
(Name and function)

Bladel; February 1, 2021
(place and date of issue)

(Signature)

2 About this document

This document shows the necessary information to do these tasks on the BOX 20 70:

- Installation
- Maintenance

This document refers to the BOX 20 70 as 'the appliance'. This document is an essential part of your appliance. Read it carefully before you do work on the appliance. Keep it in a safe place.

The original instructions of the document are in English. All other language versions of the document are translations of the original instructions. It is not always possible to provide a detailed illustration of every single item of the equipment. The illustrations in this document show a typical setup. The illustrations are for instructional use only.

2.1 How to work with this document

1. Make yourself familiar with the structure and content of the document.
2. Read the safety chapter in detail.
3. Make sure that you understand all the instructions.
4. Do the procedures completely and in the given sequence.

2.2 Warnings and cautions used in this document

Warning



If you do not obey these instructions, there is a risk that can cause personal injury or death.

Caution

If you do not obey these instructions, there is a risk of damage to the equipment or to property.

Note

A note shows more information.

Symbol	Description
	Visual sign that there is a hazard
	Visual sign that there is a notice

2.3 Related documentation

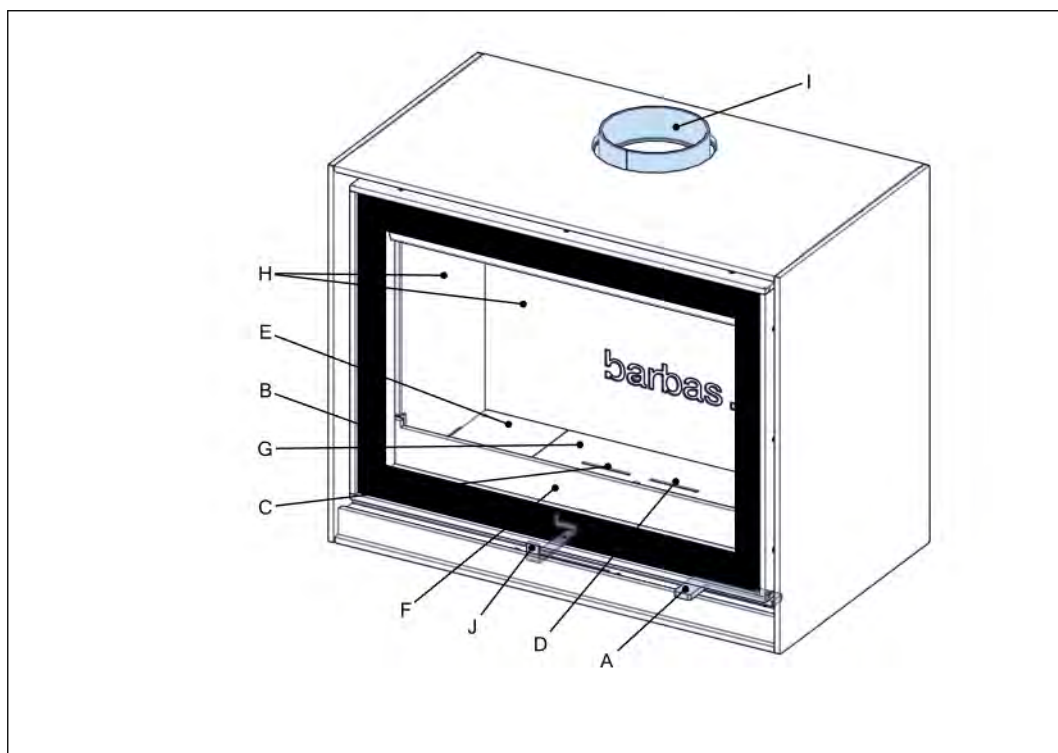
- Installation and maintenance manual
- User manual

3 Description

3.1 Overview of the BOX 20 70

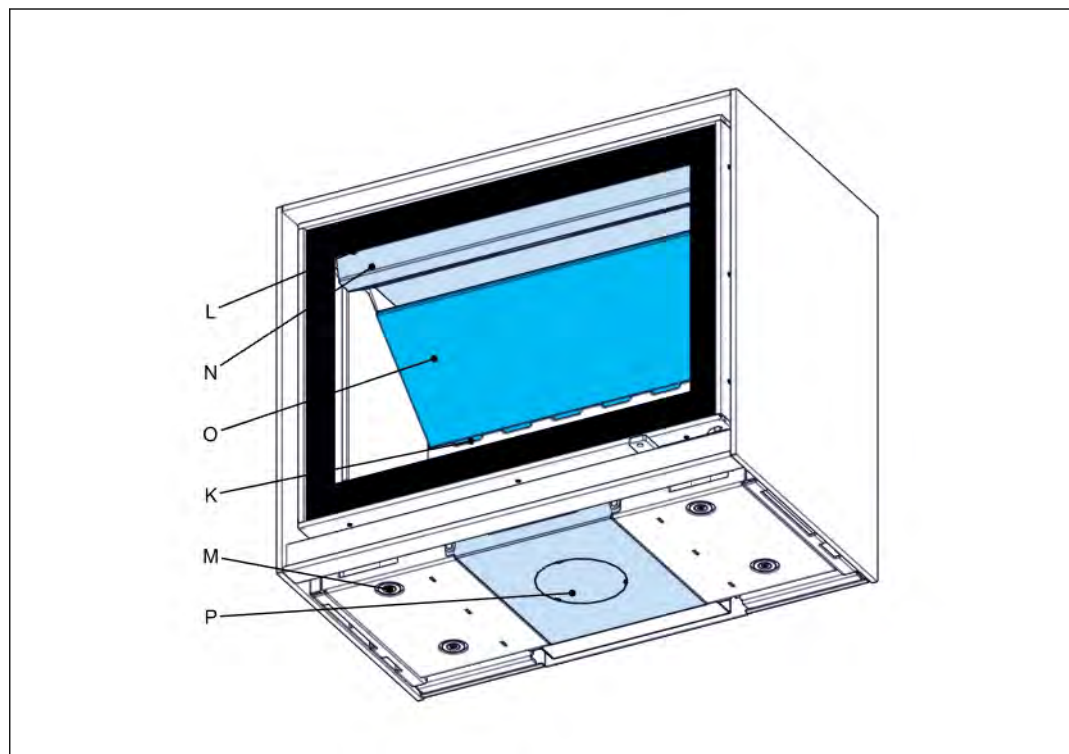
The BOX 20 70 is optionally available with a wood log storage module under the appliance.

The BOX 20 70 is available with a screened glass door or with a steel frame door.



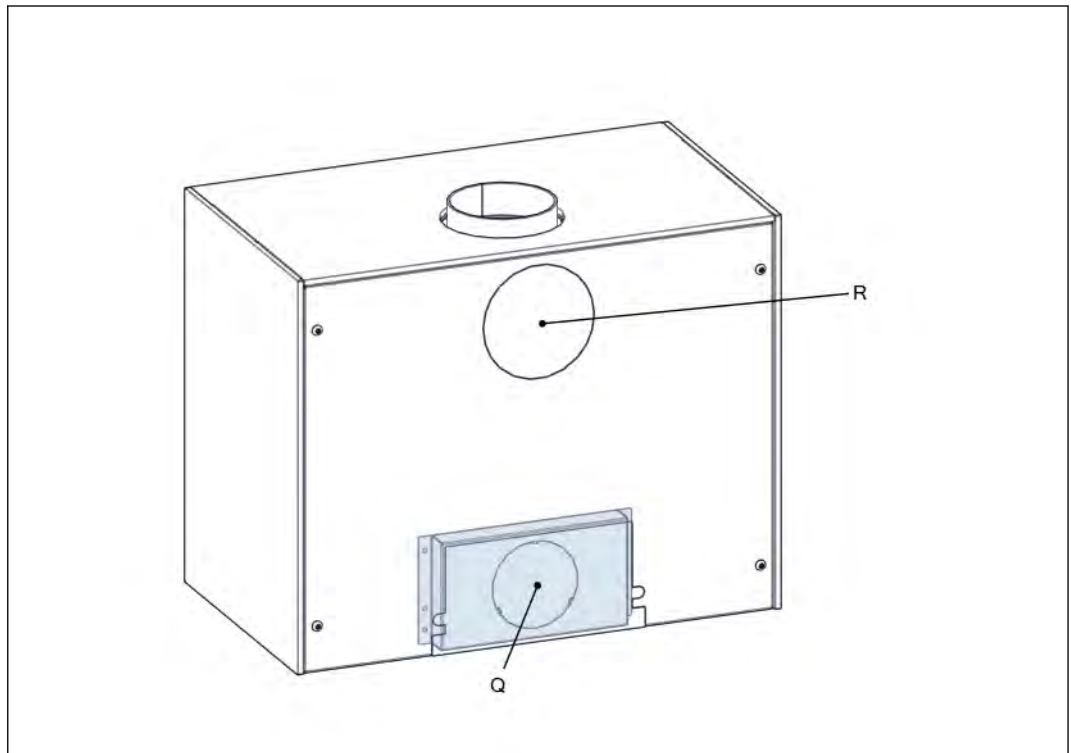
A	Door handle	F	Log guard
B	Glass	G	Ash tray (under the grate)
C	Primary air inlet	H	Ceramic panels
D	Grate	I	Top flue connection
E	Steel bottom plates	J	Control lever

Figure 1. Front view of the BOX 20 70 with screened glass door



- | | | | |
|---|---------------------|---|--|
| K | Secondary air inlet | N | Upper baffle (steel) |
| L | Air wash inlet | O | Lower baffle (ceramic) |
| M | Adjustable feet | P | Connection for external combustion air |

Figure 2. Bottom view of the BOX 20 70 with screened door

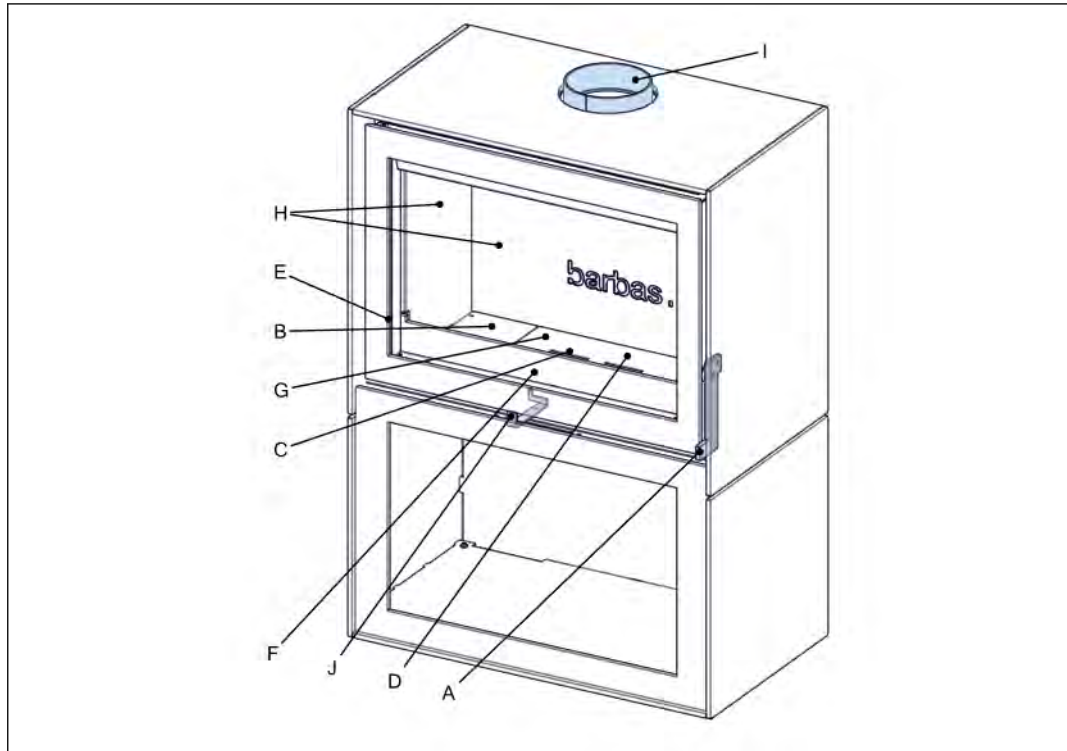


Q Connection for external combustion air R Rear flue connection

Figure 3. Rear view of the BOX 20 70

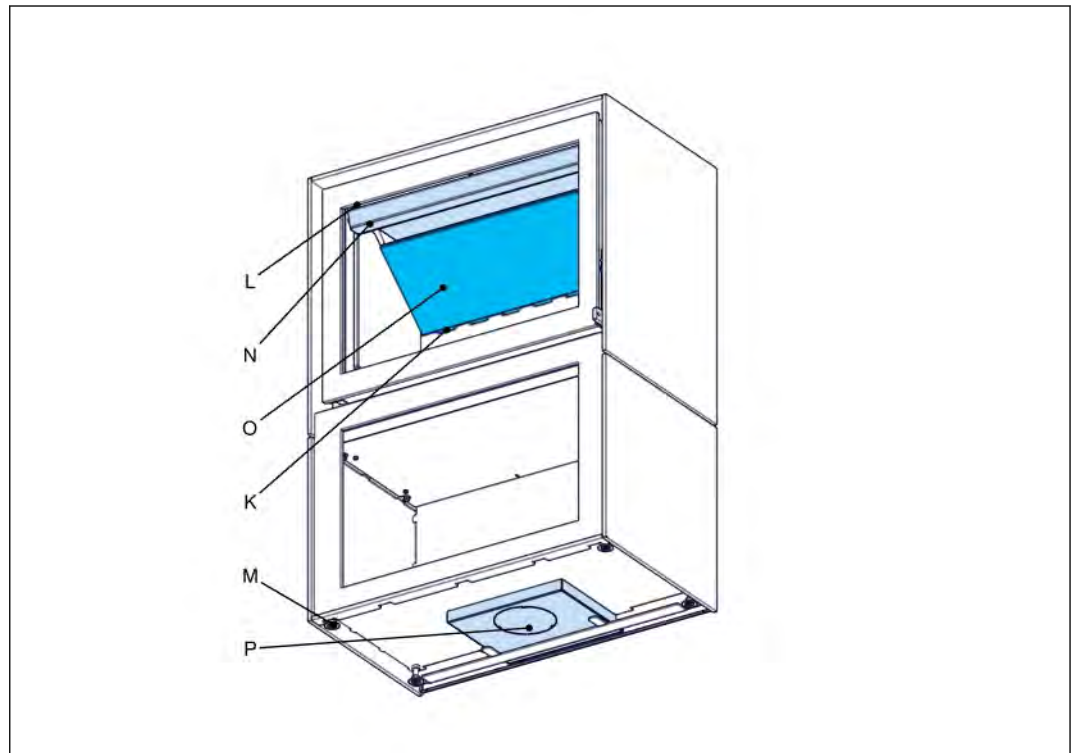
3.2 Overview of the BOX 20 70 with wood log storage module

The BOX 20 70 is optionally available with a wood log storage module under the appliance.



- | | | | |
|---|---------------------|---|----------------------------|
| A | Door handle | F | Log guard |
| B | Glass | G | Ash tray (under the grate) |
| C | Primary air inlet | H | Ceramic panels |
| D | Grate | I | Top flue connection |
| E | Steel bottom plates | J | Control lever |

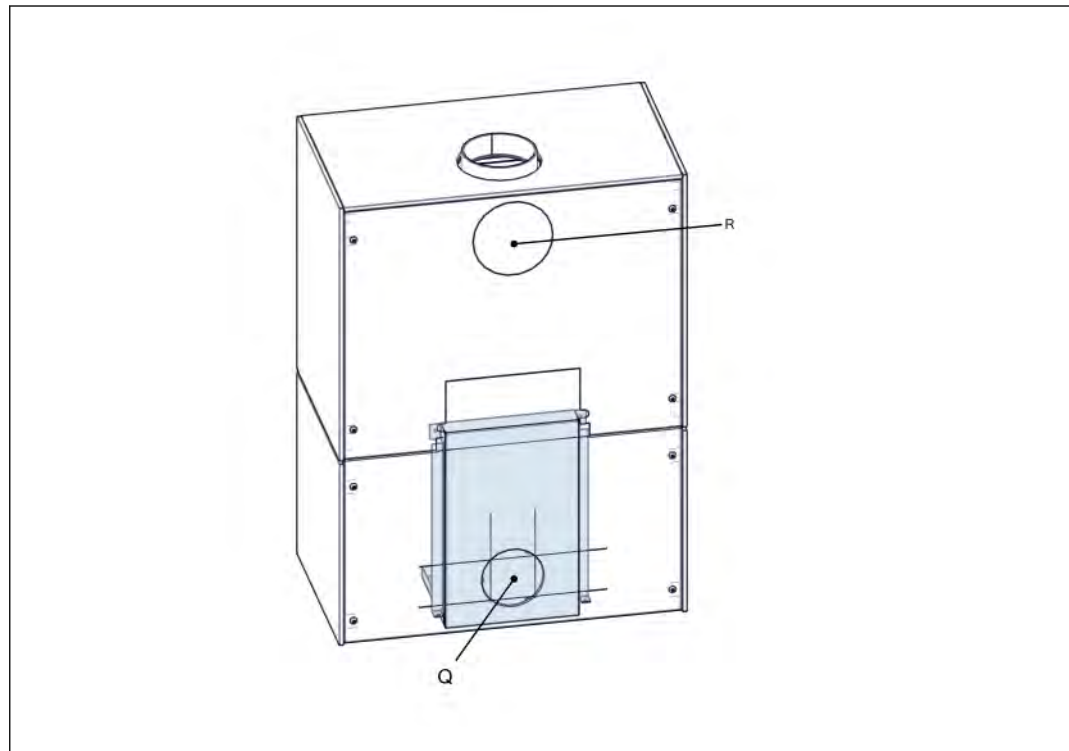
Figure 4. Front view of the BOX 20 70 with wood log storage module and steel frame door



K Secondary air inlet
L Air wash inlet
M Adjustable feet

N Upper baffle (steel)
O Lower baffle (ceramic)
P External bottom combustion air inlet
(optional)

Figure 5. Bottom view of the BOX 20 70 with wood log storage module and steel frame door



Q External rear combustion air inlet (optional) R Rear flue connection

Figure 6. Rear view of the BOX 20 70 with wood log storage module

3.3 Intended use

The appliance is intended for indoor use to heat the room wherein it is installed. Do not use it for other purposes.

The appliance is intended for use with wood logs or wood briquettes as fuel. Do not use other fuels.

The appliance is intended for use with the door closed.

The appliance may only be used at the location that meets the requirements for the installation of the appliance.

The appliance is intended for intermittent use and is not intended for continuous use.

The appliance is intended to heat the room by direct heating. It is not allowed to connect the appliance to a central-heating installation.

4 Safety

4.1 Safety instructions for installation

**Warning:**

- Installation must be done by a qualified installer.
- Install the appliance in accordance with the following installation instructions and the national and local applicable regulations.
- Make sure that the area around the fireplace is free of flammable material at all times. The minimal safe distance is 180 cm.
- Do not install the appliance against a flammable wall. Refer to chapter [4.2](#) for minimum clearances between the appliance and the wall.

**Caution:**

- Install the appliance on a floor with adequate load-bearing capacity. Refer to chapter [8](#) for the weight of the appliance.
- It is not allowed to connect the appliance to a flue that is also connected to another appliance.
- Make sure that the chimney has no creaks and is in general good order.
- Install a suitable cap on the chimney outlet to avoid birds' nests build in the chimney.
- Parts in the appliance can be moved during transportation. Make sure these parts are in the correct position. See the User Manual.
- Do not use masking tape on the appliance. Masking tape can damage the finish of the appliance.
- Make sure that the chimney temperature class is at least T400 sootfire resistant.
- Do not install the appliance in a room with a ventilation system that makes pressures below -15 Pa.

4.2 Safety distances to flammable and non-flammable materials

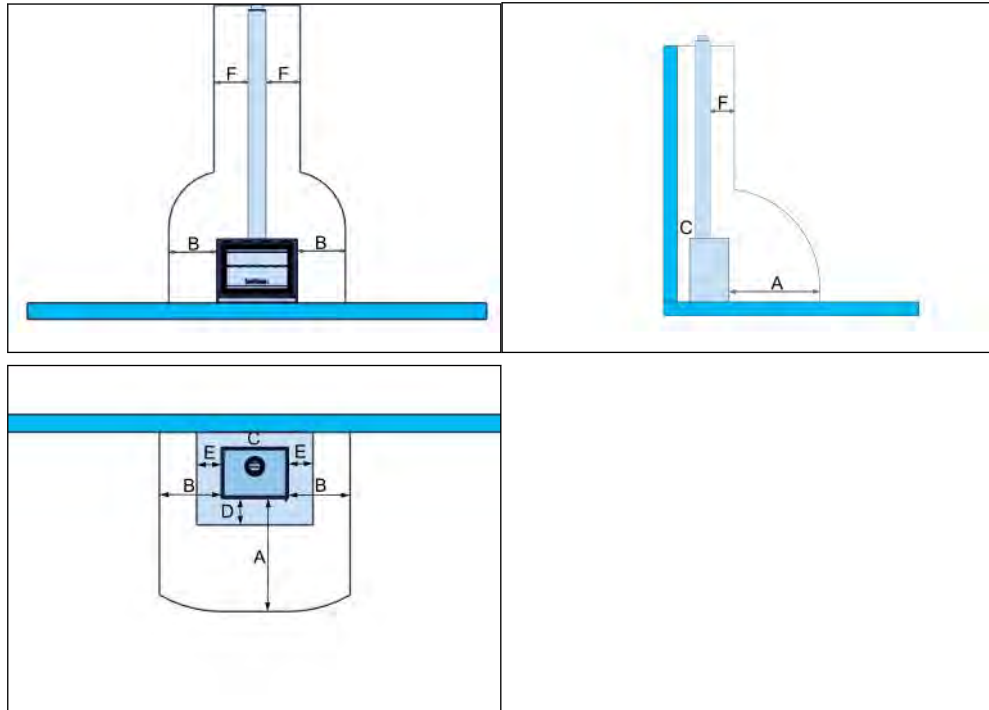
Refer to the applicable chapter for minimum safety distances to flammable and non-flammable materials

**Note:**

Make sure that flammable materials near the appliance can never reach a temperature above 85 degrees centigrade.

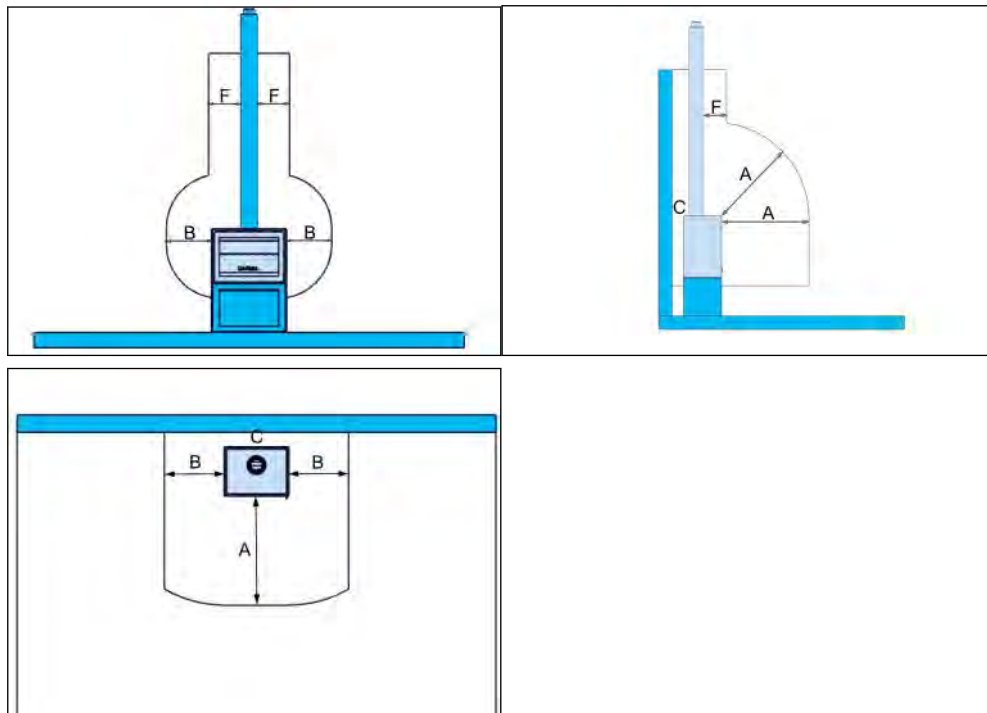
- BOX 20 70, refer to chapter [4.2.1](#).
- BOX 20 70 with wood log storage module, refer to chapter [4.2.2](#).

4.2.1 Safety distances BOX 20 70



BOX 20 70			
Label	Minimum distance to flammable materials in cm	Remark	Minimum distance to nonflammable materials in cm
A	180		80
B	30		5
C	30		5
D	See remark.	Install a non-flammable hearth with a thickness of minimum 5 cm (floor stone) when the appliance is put on a flammable floor. The width (E) of the hearth must be minimum 15 cm from each side of the appliance. The depth of the hearth in front of the appliance (D) is minimum 50 cm, when the hearth is level with the floor. If the appliance is put on a flammable platform, make sure the depth of the non-flammable hearth is the same size as the platform in front of the appliance.	5
E	15		5
F	20		5

4.2.2 Safety distances BOX 20 70 with wood log storage module



BOX 20 70 with wood log storage module			
Label	Minimum distance to flammable materials in cm	Remark	Minimum distance to nonflammable materials in cm
A	180		80
B	30		25
C	30		5
D	20	Install a non-flammable hearth (floor stone) when the appliance is put on a flammable floor. The hearth must have a minimum depth (D) of 20 cm in front of the appliance and a minimum width (E) of 15 cm from each side of the appliance.	5
E	15		5
F	20		5

4.3 Safety instructions with regard to the environment

- Dispose of the packing materials in an environmentally friendly way.
- Dispose of batteries as chemical waste.
- Dispose of ceramic heat-resistant glass as household waste. Do not dispose of ceramic heat-resistant glass in a glass recycling container.
- Dispose of an obsolete appliance according to instructions of the authorities or the fitter.
- Obey the local regulations.

5 Installation

5.1 Installation requirements

5.1.1 Requirements on the installation of the appliance

- Make sure that the location agrees with the safety requirements. Refer to chapter [4](#).
- Make sure the floor is made of concrete or a solid pedestal of non-combustible material.
- Make sure the floor can support the weight of the appliance. Refer to chapter [4.1](#) for the weight of the appliance.
- Make sure the wall can support the weight of an appliance when attached to the wall.
- Make sure that the floor temperatures below and in front of the appliance cannot be higher than 85 °C, during use of the appliance. Refer to chapter [4.2](#).
- The non-combustible floor must have a width that extends at least 150 mm from each side of the appliance and a minimum depth in front of the appliance according the requirements in chapter [4.2](#).
- Make sure the room where the appliance is installed is properly ventilated.
- Make sure that combustion air can flow into the appliance without obstruction.
- If applicable, install a valve in the external combustion air pipe.

5.1.2 Requirements on the chimney

- Make sure that in case of use of an existing (masonry) chimney, it is in good order and applicable for the appliance. Ask your dealer or chimney sweeper for advice.
- Make sure the flue system obeys the national and local applicable regulations.
- Make sure the weight of the chimney is not supported by the appliance.
- Do not connect more than one appliance to the same chimney.
- The flue system must have a temperature class designation of at least T400.
- The inner diameter of the chimney must be at least 150 mm over the total length.
- Use a steel chimney pipe with a wall thickness of at least 2 mm between the appliance and the existing chimney.
- Do not use more than 2 bends of 45°.
- Do not use horizontal flue pipes.
- The chimney outlet must be at least 5 meter above the top of the appliance.
- The chimney outlet must be at least 40 cm above the top of a sloped roof.
- The chimney outlet must be at least 1 meter above a flat roof.
- The chimney outlet must be free from any objects (buildings, trees, etc.) within a horizontal range of at least 5 meter.
- Make sure that a chimney valve has a free opening of minimum 12 % of the total area of the chimney, when closed.
- Make sure your fire insurance policy covers any damage caused by a chimney fire.

5.2 Installation procedure

Do all the procedures in each applicable section.

- BOX 20 70 without wood log storage module, refer to chapter [5.2.1](#).
- BOX 20 70 with wood log storage module, refer to chapter [5.2.2](#)

5.2.1 Install the appliance BOX 20 70

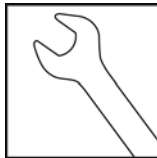


Note:

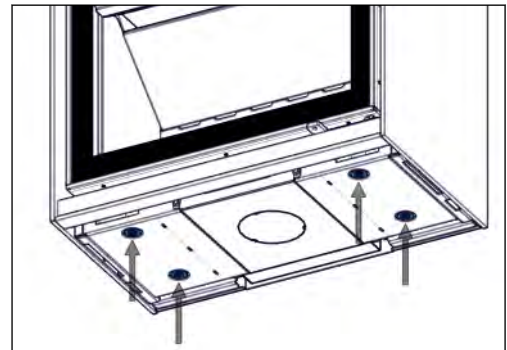
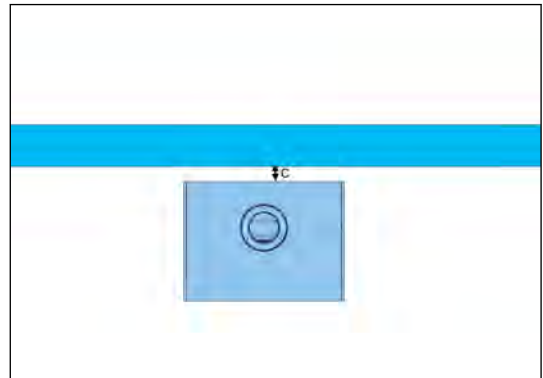
To connect the optional external combustion air supply to the rear of the appliance, refer to chapter 5.3.

To connect the optional external combustion air supply to the bottom of the appliance, refer to chapter 5.4.

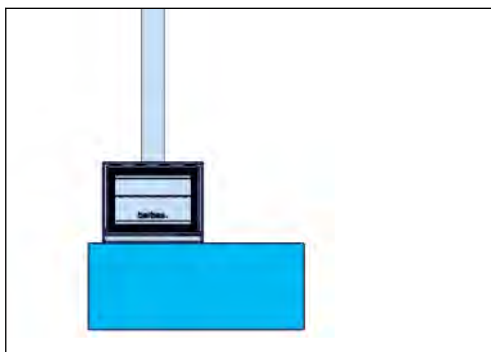
1. Put the appliance in the designated position. If the appliance is put on a natural stone platform, read and follow the instructions under "**Installation on a natural stone platform**".
2. Make sure that the distance C is correct. Refer to chapter 4.2.1.
3. Put a nonflammable hearth under the appliance if necessary. Refer to chapter 4.2.1.
4. Make sure that the flue connection on the appliance is correct in line with the flue pipe to the ceiling.



5. Make sure that the distance between the bottom of the appliance and the floor is minimum 3 mm. Do this by adjusting the adjustable feet. Use a 13mm fork spanner.
6. Make sure the appliance is installed horizontally by adjusting the adjustable feet. Use a spirit level.
7. Go to chapter 5.5 for instruction for the connection of the flue pipe.



Installation on a natural stone platform



Do this procedure if the appliance is placed on a natural stone platform.

- Place the appliance approximately 3 mm above the platform by means of the adjustable feet.
- The platform must have minimum thickness of 3 cm.
- The platform must support the weight of the appliance directly underneath it.
- Ask your natural stone dealer for additional advice regarding the specific type of stone in combination with the appliance.

5.2.2

Install the appliance BOX 20 70 with wood log storage module

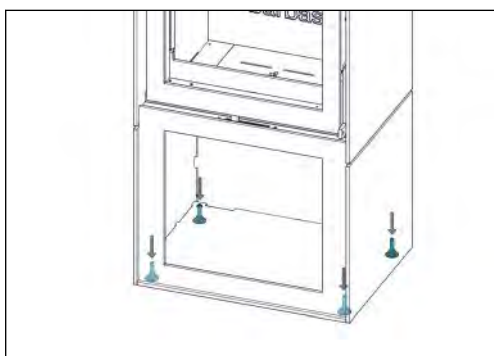
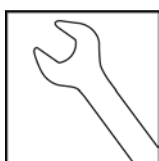
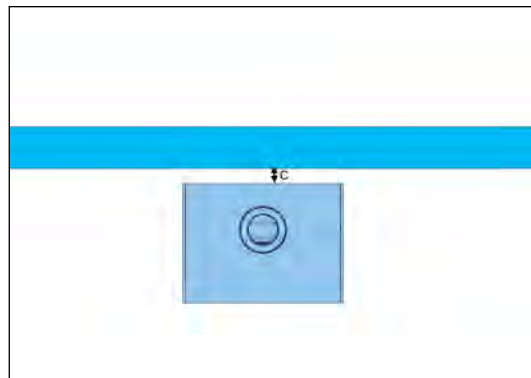


Note:

To connect the optional external combustion air supply to the rear of the appliance, refer to chapter 5.3.

To connect the optional external combustion air supply to the bottom of the appliance, refer to chapter 5.4.

1. Put the appliance in the designated position.
2. Make sure that the distance C is correct. Refer to chapter 4.2.2.
3. If the appliance is put on a flammable floor, it is recommended to put a non-flammable plate under the appliance that extends a minimum 20 cm from the front of the appliance.
4. Make sure that the flue connection on the appliance is correct in line with the flue pipe to the ceiling.
5. Make sure the appliance is installed horizontally. If necessary, adjust the adjustable feet with a 13 mm fork spanner. Use a spirit level.



6. Go to chapter 5.5 for instruction for the connection of the flue pipe.

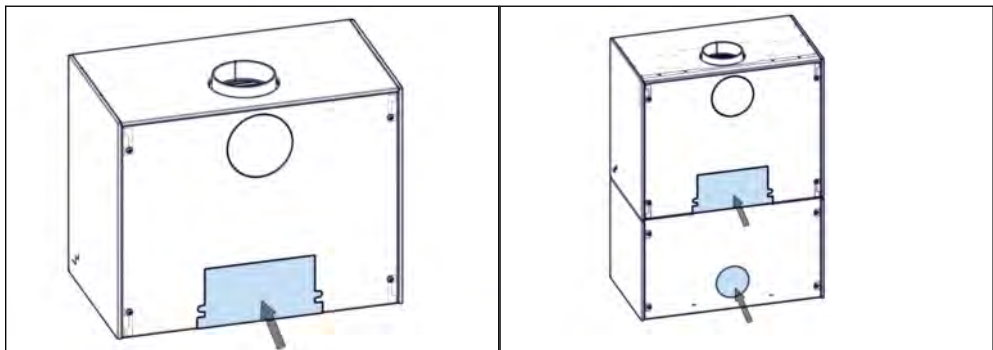
5.3 Connect the optional external air supply (rear connection)



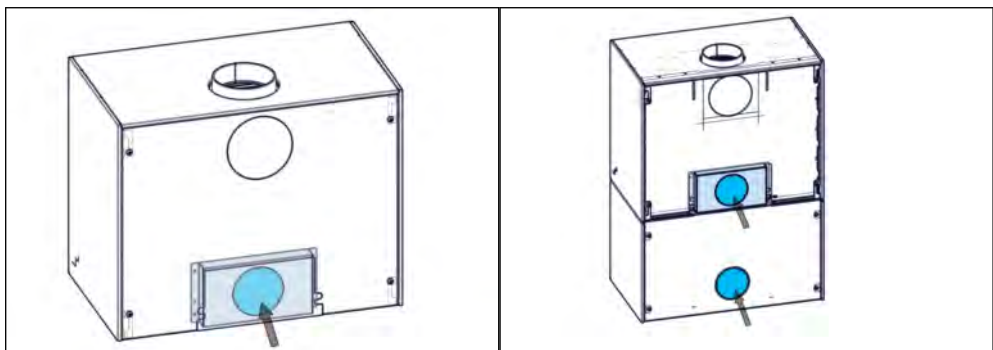
Note:

- The appliance has the possibility to connect a supply pipe for external combustion air. During operation the appliance gets combustion air from this air duct. The appliance however, is not a room-sealed appliance according to the requirements for room-sealed appliances.
- The external air supply connection is only available when ordered with the appliance.
- It is strongly recommended to install a valve in the external combustion air supply pipe, to avoid debris in the pipe and to avoid water vapor condensation in the appliance when not in use.
- The BOX 20 70 with wood log storage module has 2 possibilities to connect to an external air supply pipe to the rear of the appliance. Make sure to use only 1 of the 2 rear connectors.

1. Remove the rectangular break out plate or round break out plate at the rear of the appliance with a hammer. A round break out plate is now visible.



2. Remove the round break out plate with a hammer.



3. Put the collar adaptor in the open external air inlet opening.
4. Bend out the 3 lips on the collar adaptor to attach the collar adaptor on the inlet opening.
5. Identify the location in the outer wall for the external combustion air supply inlet.
6. Make a hole in the outer wall with at a minimum diameter of 125 mm.

7. Put a flexible aluminum pipe in the hole.
8. Install a grate in the hole in the outer wall and attach the flexible aluminum pipe to it.
9. Attach the other end of the flexible aluminum pipe on the collar adapter. Use a hose clamp.

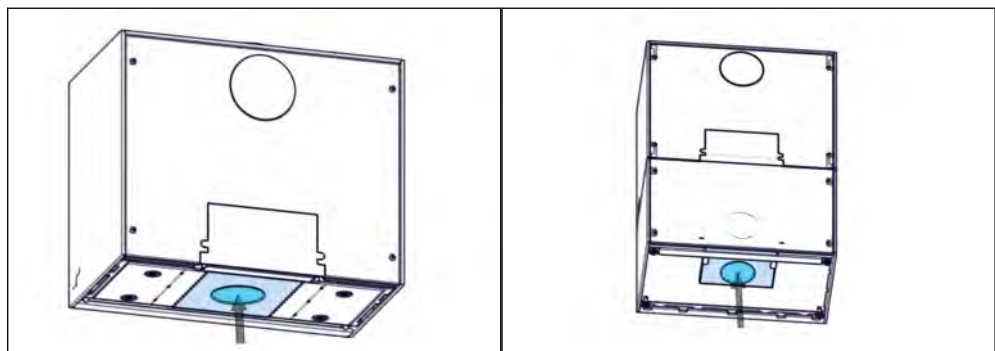
5.4 Connect the optional external air supply (bottom connection)



Note:

- The appliance has the possibility to connect a supply pipe for external combustion air. During operation the appliance gets combustion air from this air duct. The appliance however, is not a room-sealed appliance according to the requirements for room-sealed appliances.
- The external air supply connection is only available when ordered with the appliance.
- It is strongly recommended to install a valve in the external combustion air supply pipe, to avoid debris in the pipe and to avoid water vapor condensation in the appliance when not in use.

1. Remove the round break out plate at the bottom of the appliance with a hammer.



2. If necessary, put the collar adaptor in the open external air inlet opening.
3. Bend out the 3 lips on the collar adaptor to attach the collar adaptor on the inlet opening.
4. Identify the location in floor for the external combustion air supply inlet.
5. Make a hole in the floor with at a minimum diameter of 125 mm.
6. Put a flexible aluminum pipe in the hole.
7. Attach the other end of the flexible aluminum pipe on the collar adapter. Use a hose clamp.

5.5 Connect the flue gas pipe



Caution:

- During operation of the appliance the outer side of the flue system becomes hot. Refer to chapter [4.2](#) for minimum distances to flammable material.

If the appliance is installed on an unlined, masonry flue with a large diameter, consider using a flue lining system to improve the performance of the appliance.

1. Connect the flue to the flue gas connection on the appliance. If necessary use a steel flue adaptor.
2. If a flexible stainless steel flue is used, secure the flue connection with 2 clamps.
3. If the flue is connected to an existing (masonry) chimney, make sure that the gap between the flue and the existing chimney is sealed, with ceramic wool or any other applicable component (ask your flue system supplier for advice)
4. Make sure that all mechanical connections of the flue system are correctly used.
5. Make sure that all of the flue system is gas-tight,

5.6 Final check on the appliance

1. Make sure the door closes and opens easy.
2. Make sure the control lever moves easy to left and right without undue noise.
3. Make sure the ceramic plate and the baffles are in the correct position.

Contact your dealer if the final check shows a defect.

6 Maintenance

**Warning:**

Make sure that the appliance has cooled down completely before doing the procedures in this section.

Do all procedures in this section when necessary.

6.1 Appliance

1. Remove ashes from the floor of the combustion chamber.
2. Examine the door seals. Replace damaged seals.
3. Remove the grate and empty the ash tray.
4. Examine the baffle for damage. Replace when damaged.
5. Clean both sides of the glass with glass spray or ceramic hob cleaner.
6. Clean the inside of the appliance with a soft brush.
7. Clean the metal parts on the outside of the appliance with a dry lint free cloth. Use Barbas heat resistant paint spray to repair lacquer damage.

6.2 Combustion air supply

1. Make sure that the inlet of the pipe of the external combustion air supply is not blocked by leaves or other debris.
2. Clean the inlet of the pipe of the external combustion air supply.

6.3 Chimney

**Note:**

It is recommended to contact a registered chimney sweep company to inspect and clean the chimney.

1. Sweep and inspect the chimney
2. Make sure there is no blockage in the chimney, for example by birds' nests.
3. Make sure the chimney is in good condition. Examine for cracks, loose parts and flue gas leakage. It is recommended to use an inspection camera.

Make sure to remove the baffles before the chimney sweep work. Refer to step 4 and step 5 in chapter 7 for the procedure to remove the baffles.

Make sure to replace the baffles after the finish of the chimney sweep work and before firing the appliance.

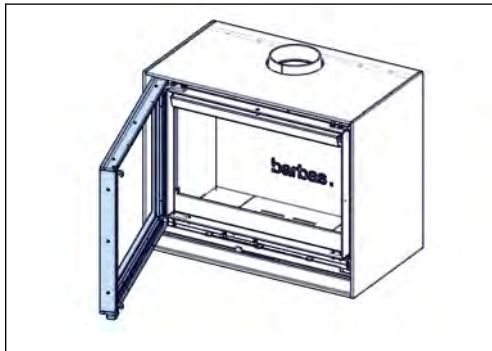
7 Removal of the interior of the combustion chamber



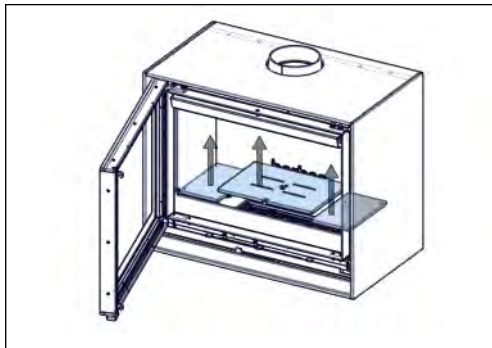
Note:

For chimney sweep work, only remove the upper baffle (refer to step 4 of this instruction) and lower baffle (refer to step 5 of this instruction).

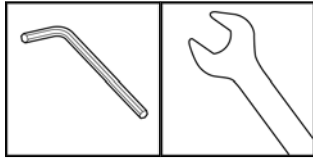
1. **Remove the door**
 - a) Open the door completely.



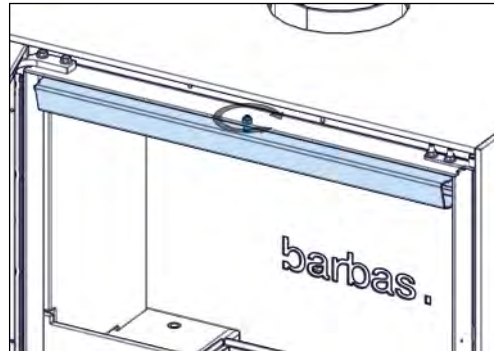
2. **Remove the bottom**
 - a) Lift the grate and remove from the combustion chamber.
 - b) Lift the left and right steel bottom plate and remove from the combustion chamber.



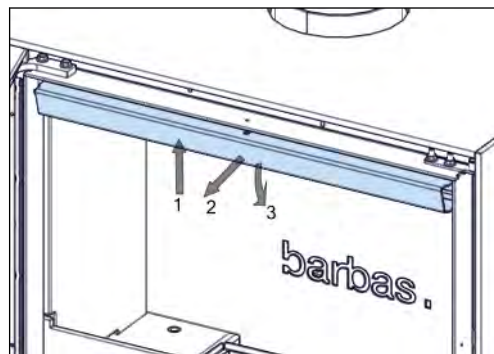
3. Remove the upper baffle



- a) Loosen the nut above the heat shield with a 3 mm hexagonal key and a 10 mm fork spanner. Make sure the nut stays attached to the socket screw.



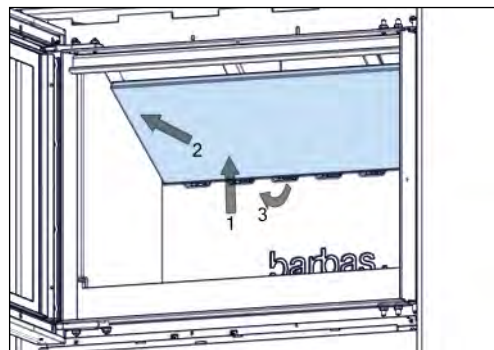
- b) Push up the front of the heat shield (1) and pull it forward (2) and move downward to a vertical position (3).



- c) Remove the upper baffle from the appliance.

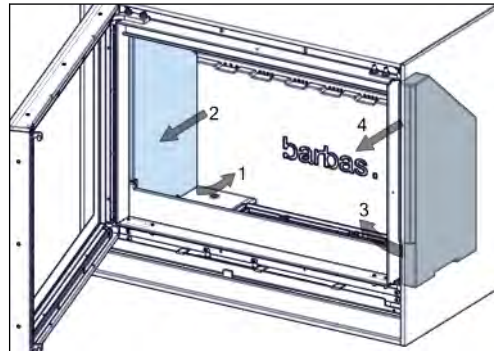
4. Remove the lower baffle.

- a) Push up the back side of the lower baffle and move it as far back as possible.
 b) Lower the front side of the lower baffle and remove it from the appliance.

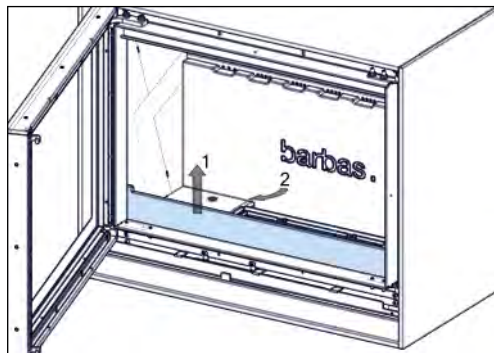


5. Remove the ceramic side panels

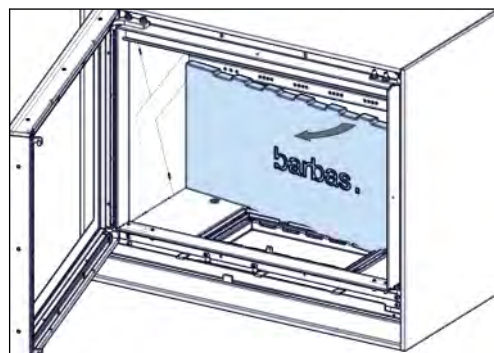
- a) Move the left side panel a little upward and inwards (1) and remove it from the appliance (2).
- b) Move the right side panel a little upward and inwards (3) and remove it from the appliance (4).

**6. Remove the log guard**

- a) Lift the front log guard and remove from the combustion chamber.

**7. Remove the ceramic back panel.**

- a) Move the bottom of the ceramic panel forward and remove it from the appliance.

**Note:**

To put the parts of the combustion chamber interior back, do the above instructions in opposite order.

8 Technical data

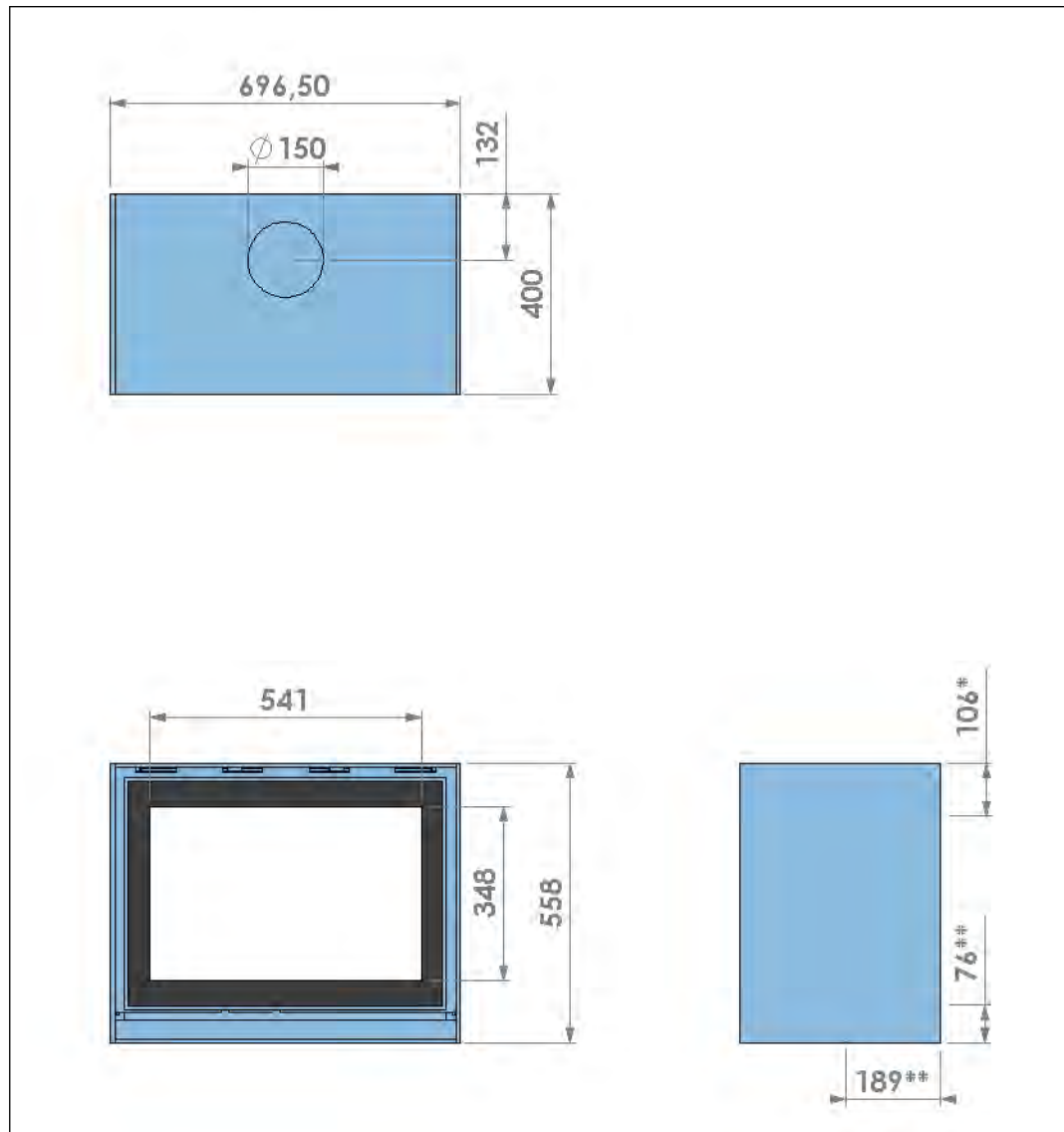
8.1 Technical data

Name	Barbas
Model	<ul style="list-style-type: none"> • BOX 20 70 • BOX 20 70 with wood log storage module
Tested in accordance with	EN 13240:2001-A2:2004 EN16510-1 annex D, E, F
Energy efficiency index	100
Energy efficiency class	A
Fuel	Wood logs, Wood briquettes
Nominal fuel load	2.4 kg
Nominal heat output (net)	10 kW
Minimum heat output (net)	8 kW
Useful efficiency at nominal heat output	75.6 %
Useful efficiency at minimum heat output (indicative)	81 %
Indirect heating function	No
Room sealed	No
Emissions (at 13 % O₂, 273 K, 1013 hPa)	
• carbon monoxide (CO)	0.07 vol% (865 mg/Nm ³)
• particles (PM)	25 mg/Nm ³
• organic gaseous compounds (OGC)	57 mg/Nm ³
• nitrogen oxides (NO _x)	128 mg/Nm ³
Flue gas mass flow	9.9 g/s
Flue gas temperature	319 °C
Chimney draught	12 Pa (0,12 mbar)
Flue gas connection	Inner diameter 157 mm, suitable for a pipe with an outer diameter of 150 mm
External combustion air connection	125 mm
Weight	
<ul style="list-style-type: none"> • BOX 20 70 • BOX 20 70 with wood log storage module 	<ul style="list-style-type: none"> • 152 kg • 200 kg
Minimum distance to flammable materials	
<ul style="list-style-type: none"> • side wall • back wall • floor • ceiling 	Refer to chapter 4.2

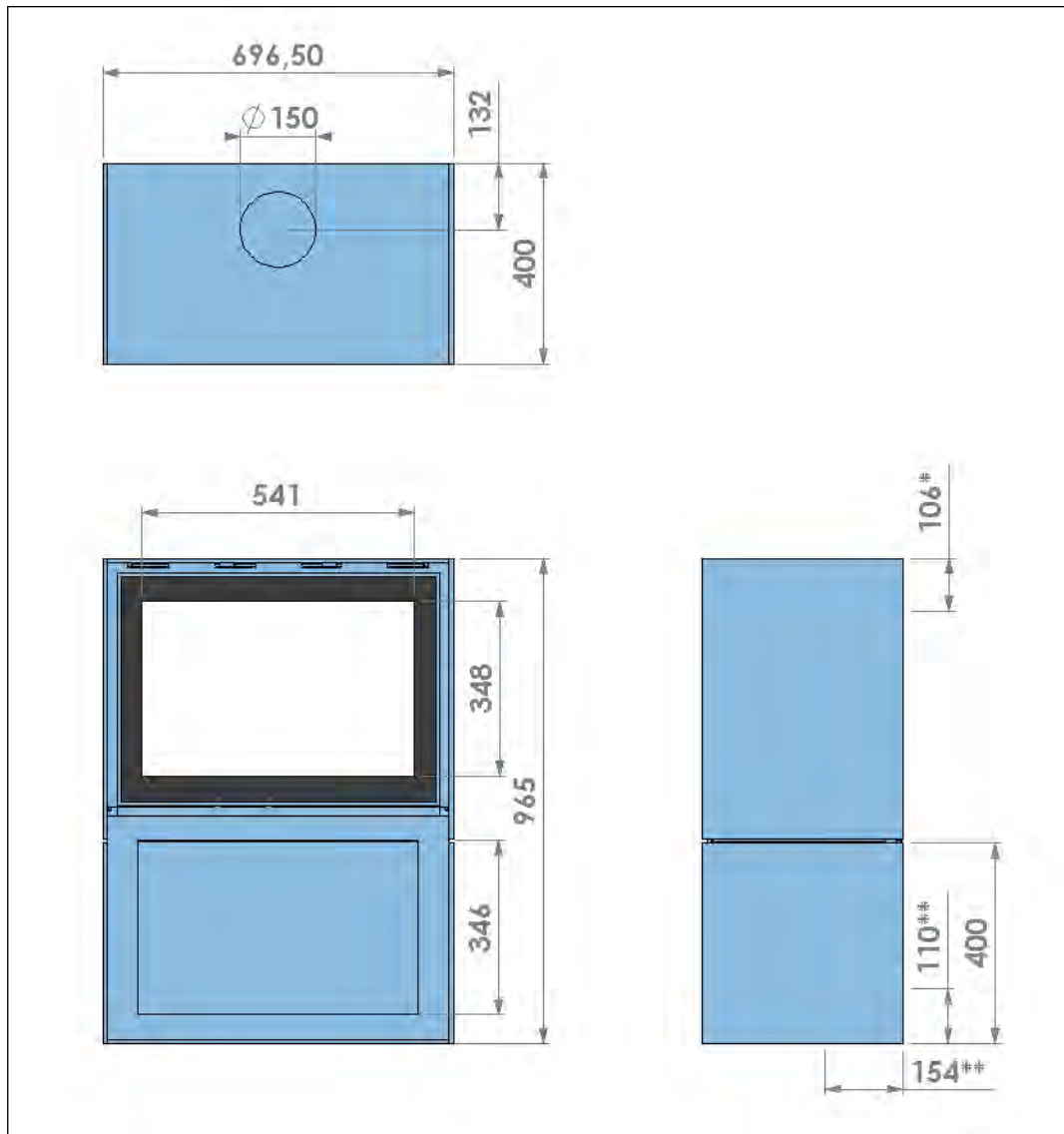
Used materials	
• Combustion chamber back and side panels	Heat resistant ceramic 1600 kg/m ³
• Combustion floor and grate	Steel
• Lower baffle	Heat resistant ceramic 2000 kg/m ³
• Upper baffle	Steel
• Front glass	• Heat resistant ceramic glass
The specific precautions that shall be taken when the local space heater is assembled, installed or maintained, are listed in the attached documents:	<ul style="list-style-type: none"> • Installation and maintenance manual • User manual

9 Dimensions

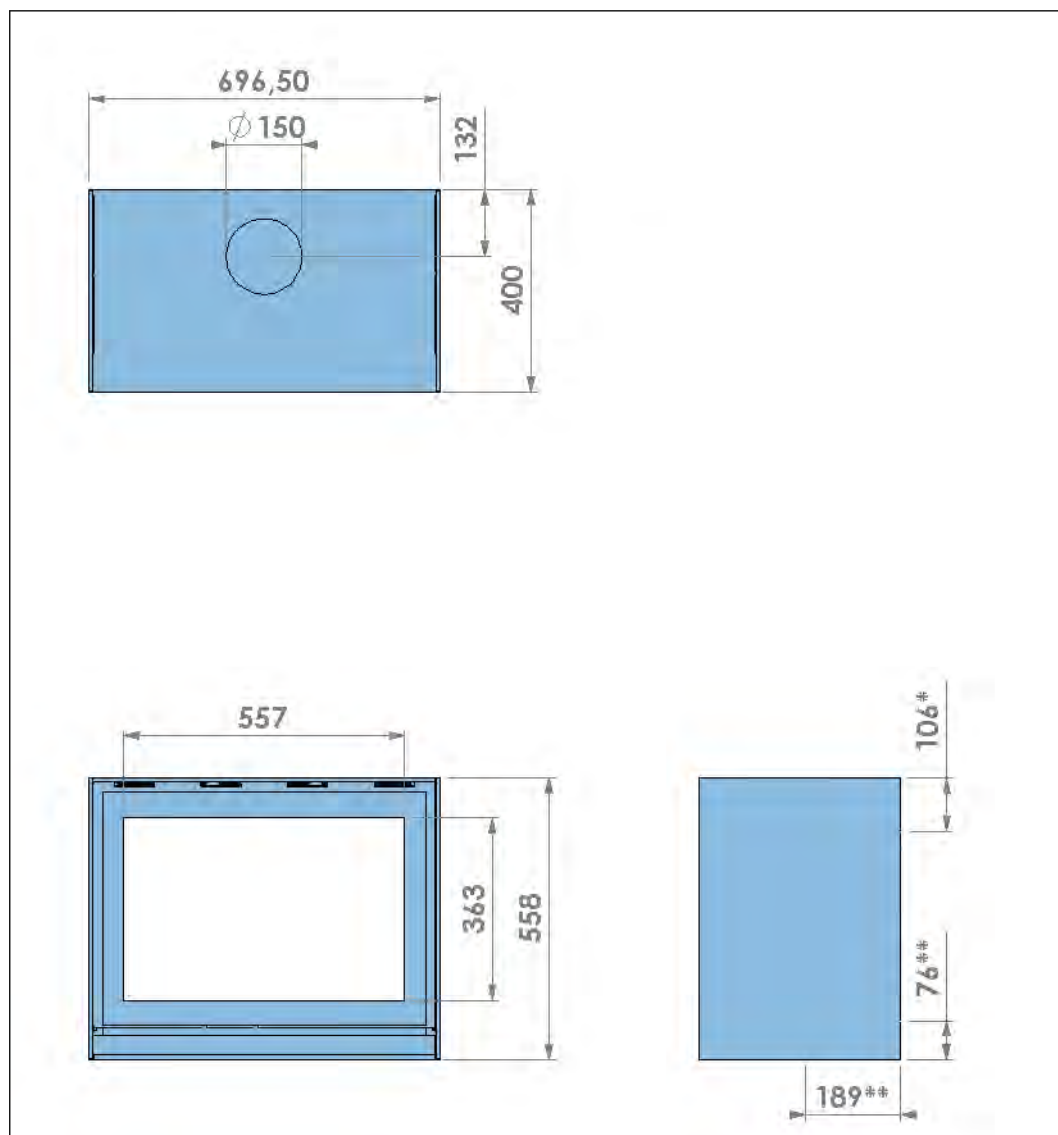
9.1 Dimensions BOX 20 70 with screened glass door



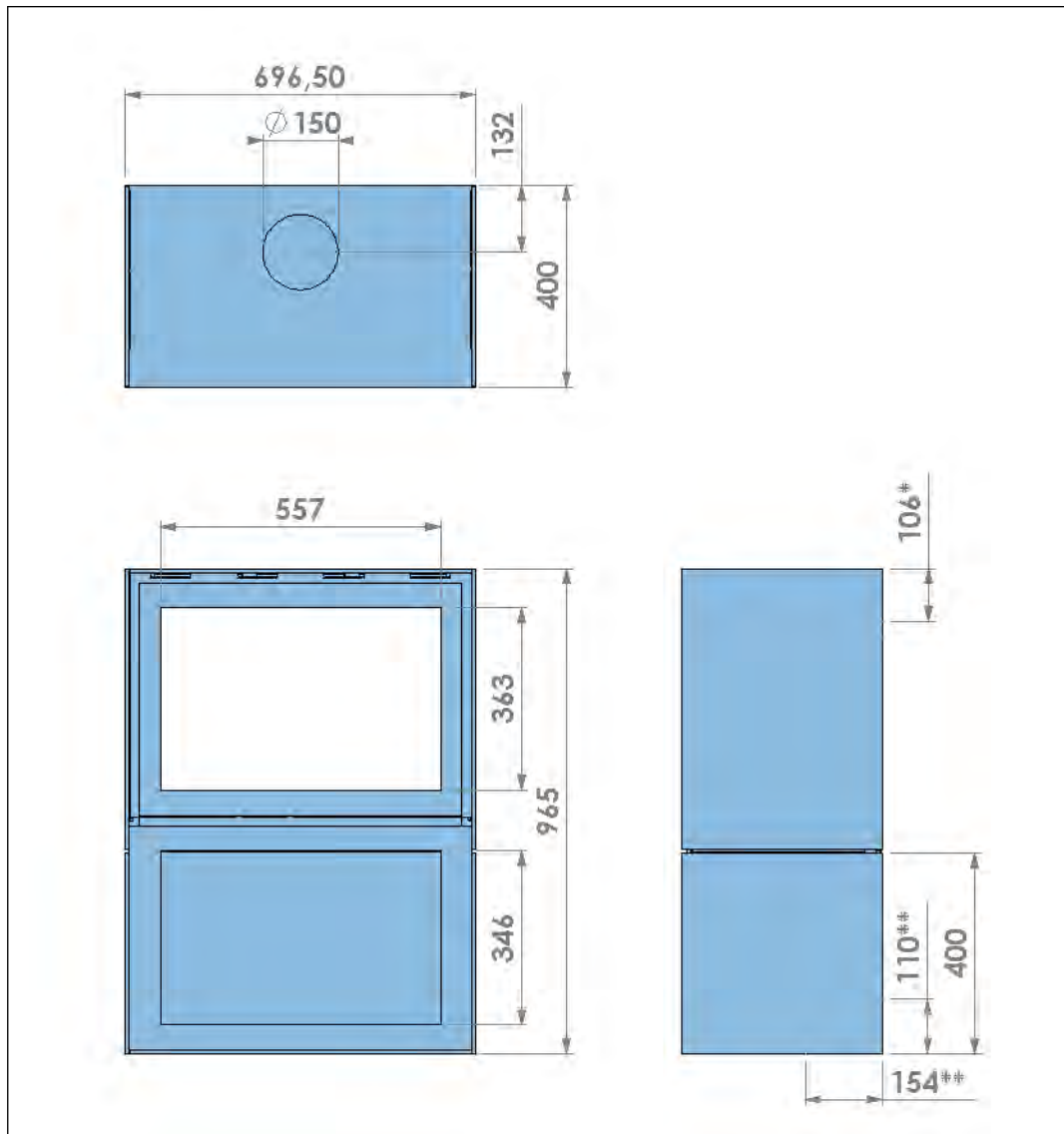
9.2 Dimensions BOX 20 70 with wood log storage module and screened glass door



9.3 Dimensions BOX 20 70 with steel frame door



9.4 Dimensions BOX 20 70 with wood log storage module and steel frame door



10 Warranty Terms

Barbas Bellfires Warranty Terms

Barbas Bellfires B.V. guarantees the quality of the supplied Barbas appliance and the quality of the materials used. All Barbas appliances are developed and manufactured according to the highest possible quality standards. If, despite all this, something should prove amiss with the Barbas appliance you have purchased, Barbas Bellfires B.V. offers the following manufacturer's warranty.

Article 1: Warranty

1. If Barbas Bellfires B.V. determines that the Barbas appliance you have purchased is defective as a result of a flaw in the construction or material, Barbas Bellfires B.V. guarantees to repair or replace the appliance free of charge, without charging any costs for labor or spare parts.
2. Repair or replacement of the Barbas appliance will be undertaken by Barbas Bellfires B.V. or by a Barbas dealer as designated by Barbas Bellfires B.V.
3. This warranty is supplementary to the existing legal national warranty of Barbas dealers and Barbas Bellfires B.V. in the country of purchase and is not intended to restrict your rights and claims based on the applicable legal provisions.

Article 2: Warranty conditions

1. Should you wish to claim under the warranty, please contact your Barbas dealer.
2. Complaints should be reported as quickly as possible after they have manifested themselves.
3. Complaints will only be accepted if they are reported to the Barbas dealer, together with the serial number of the Barbas appliance which is stated on the front of the manual.
4. In addition, the original receipt (invoice, receipt, cash receipt) showing the date of purchase must also be submitted.
5. Repairs and replacements during the warranty period do not give any entitlement to an extension of the warranty period. After a repair or replacement of warranty parts, the warranty period shall be deemed to have started on the date of purchasing the Barbas appliance.
6. If a certain part is eligible for the warranty and the original part is no longer available, Barbas Bellfires B.V. shall ensure that an alternative part of at least the same quality shall be provided.

Article 3: Warranty exclusions

1. The warranty on the Barbas appliance ceases to be in effect if:
 - a. it is not installed according to the supplied installation instructions, and to national and/or local regulations;
 - b. it has been installed, connected or repaired by a non-Barbas dealer;
 - c. it has not be used or maintained according to the instructions for use;
 - d. it has been changed, neglected or roughly treated;
 - e. it has been damaged as a result of external causes (outside the appliance itself), for example, lightning strike, water damage or fire;
2. In addition, the warranty lapses if the original purchase receipt shows any change, deletion, removal or if it is illegible.

Article 4: Warranty area

1. The warranty is only valid in those countries where Barbas appliances are sold through an official dealer network.

Article 5: Warranty period

1. This warranty will only be granted during the warranty period.
2. The body of the Barbas appliance is guaranteed for a period of 10 years against construction and/or material faults, starting from the moment of purchase.
3. For other parts of the Barbas appliance, a similar warranty applies from the moment of purchase for a period of two years.
4. For user parts such as glass, glass (cord) and the interior of the combustion chamber, a similar guarantee is given until after the first burning.

Article 6: Liability

1. A claim granted by Barbas Bellfires B.V. under this warranty does not automatically imply that Barbas Bellfires B.V. also accepts liability for any possible damage. The liability of Barbas Bellfires B.V. never extends further than that stated in these warranty conditions. Any liability of Barbas Bellfires B.V. for consequential damage is expressly excluded.
2. That stated in this provision is not valid if and to the extent that it derives from a mandatory provision.
3. All agreements entered into by Barbas Bellfires B.V. are, unless specifically stated otherwise in writing and to the extent that they are permitted based on applicable law, subject to the FME-CWM general sales and delivery conditions for the technology industry.

Barbas Bellfires B.V.
Hallenstraat 17 5531 AB Bladel
The Netherlands
Tel: +31-497339200
Email: info@Barbas.com

Carefully retain the user manual; it shows the serial number of the appliance. You will need this if you wish to claim under the warranty.

barbas .

Your Barbas dealer